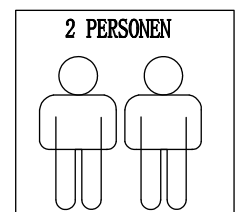


ITEM NO. TVSBSD0505



NOTE:

This brochure contains IMPORTANT safty info. Please read and keep for future reference.

MAINTAINANCE

AND WARNING

- Keep furniture away from heat.
- Do not clean furniture with harsh cleansers or polish. Do not use detergents, Solvents, abrasives, spray packs or leather cleaner. Use non-color mild soap with warm water clean spills(Mix 1:10 soap to water)
- Do not place furniture under direct sunlight, material will possibly fade over time.
- Do not use on site dry Cleaning machine.
- Children should not climb or jump on the furniture.
- Do not write on furniture without a padded barrier to protect the surface.
- Not for commercial use, For residential use only.



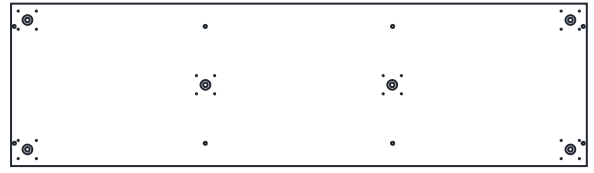
Weight Limitation

80LBS

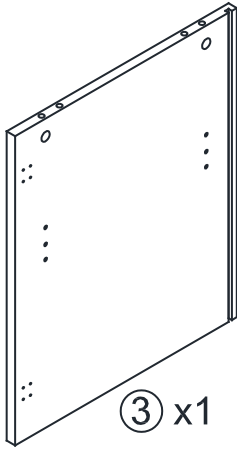
PARTS LIST



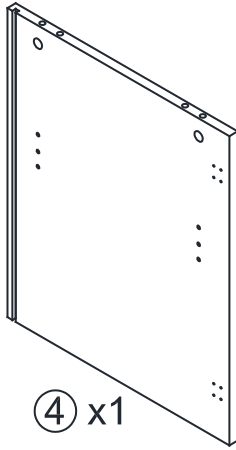
① x1



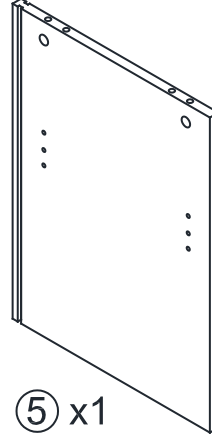
② x1



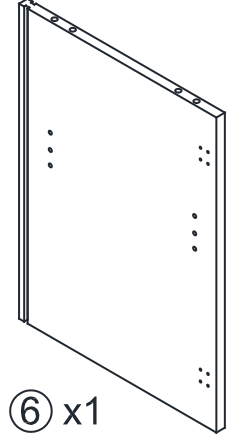
③ x1



④ x1



⑤ x1



⑥ x1



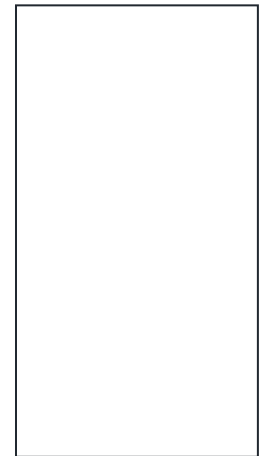
⑦ x2



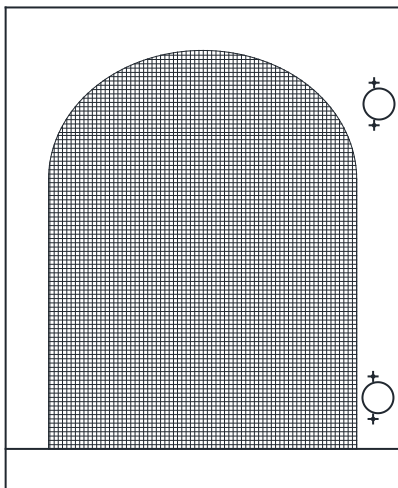
⑧ x1



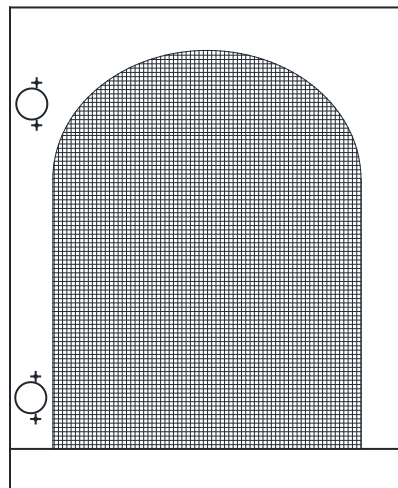
⑨ x2



⑩ x1



⑪ x1



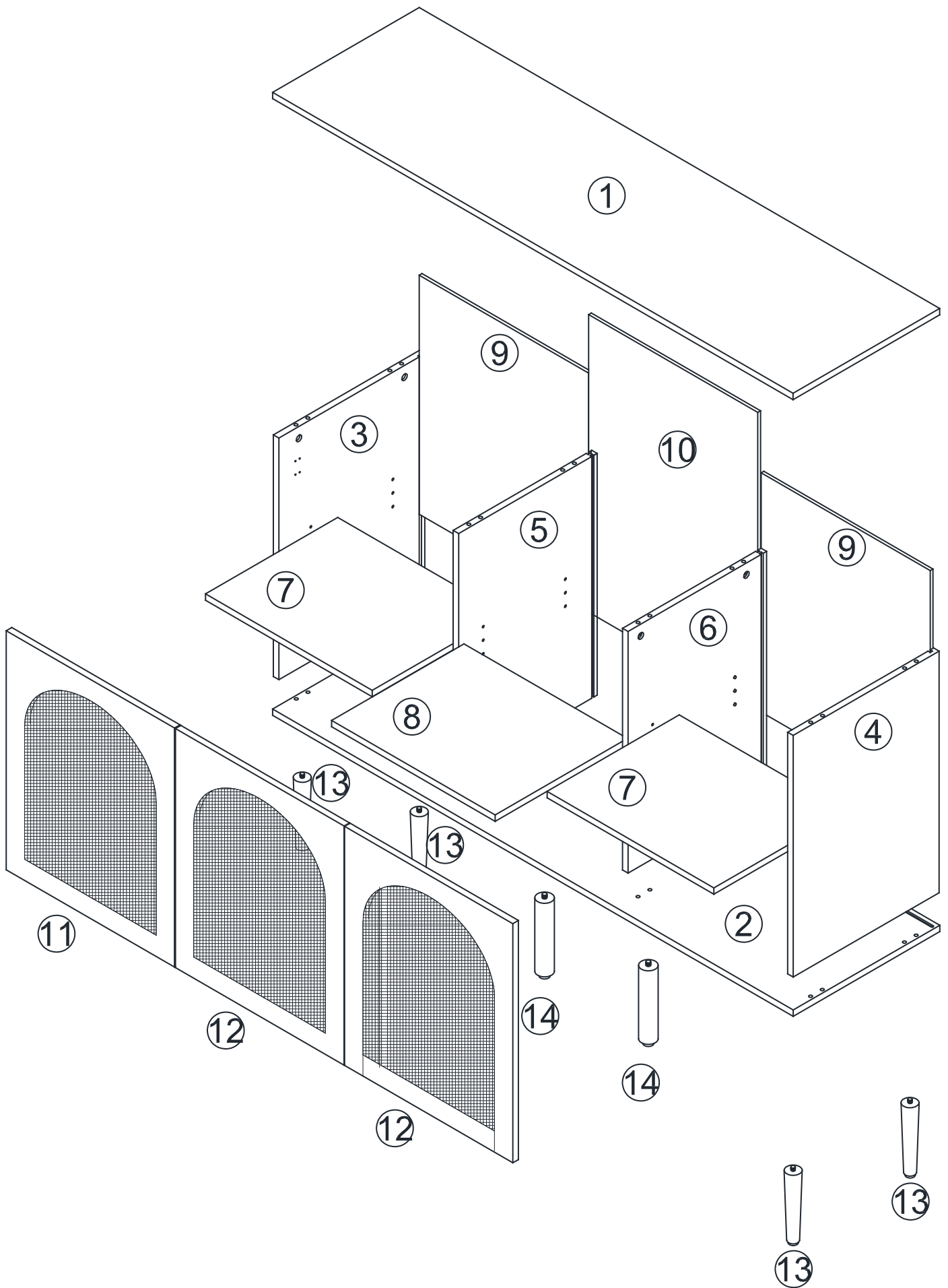
⑫ x2



⑬ x4








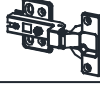
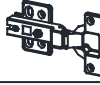











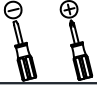
⑭ x2







Explosive View

HARDWARE

LIST

A	x8	B	x8	C	x8	D	x16	E	x91	F	x4	G	x2	H	x18
															
M6*35mm		Ø15mm		M7*50mm		Ø8*30mm		Ø3.5*14mm							
I	x12	J	x3	K	x3	L	x8	M	x1	N	x4	O	x4	P	x2
															
								M4		Ø4*35mm					
Q	x4	R	x6	S	x1										
															

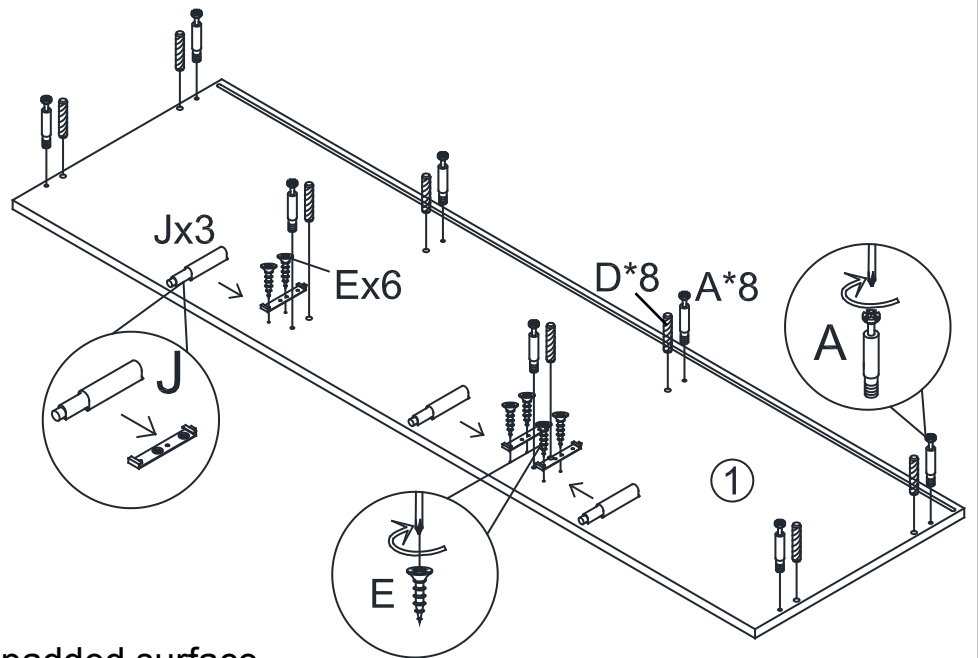
SPARE

A	x1	C	x1	E	x9	N	x1
							
M6*35mm		M7*50mm		Ø3.5*14mm		Ø4*35mm	





Be sure to check all packing material carefully for small parts, which may have come loose inside the carton during shipment.

ASSEMBLY INSTRUCTIONS

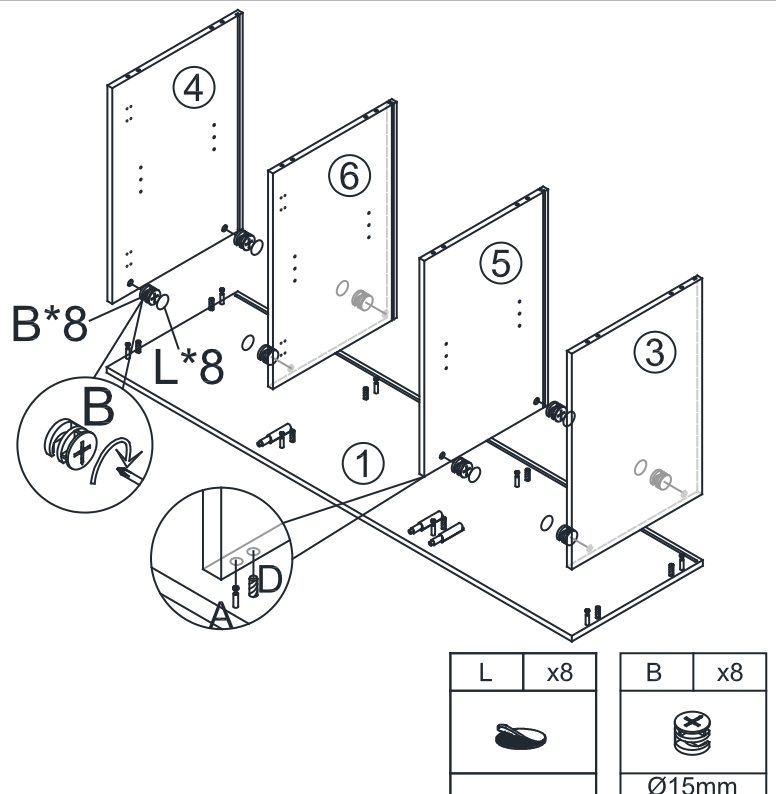
STEP 1




Place panel 1 on clean padded surface. Use screwdriver and screw E to connect push catch J with panel 1, insert wood dowel D into panel 1, use screwdriver to connect cam bolt A with panel 1, make sure all holes aligned and fasten all screws to secure.

J	x3	A	x8	D	x8	E	x6
							
		M6*35mm		Ø8*30mm		Ø3.5*14mm	

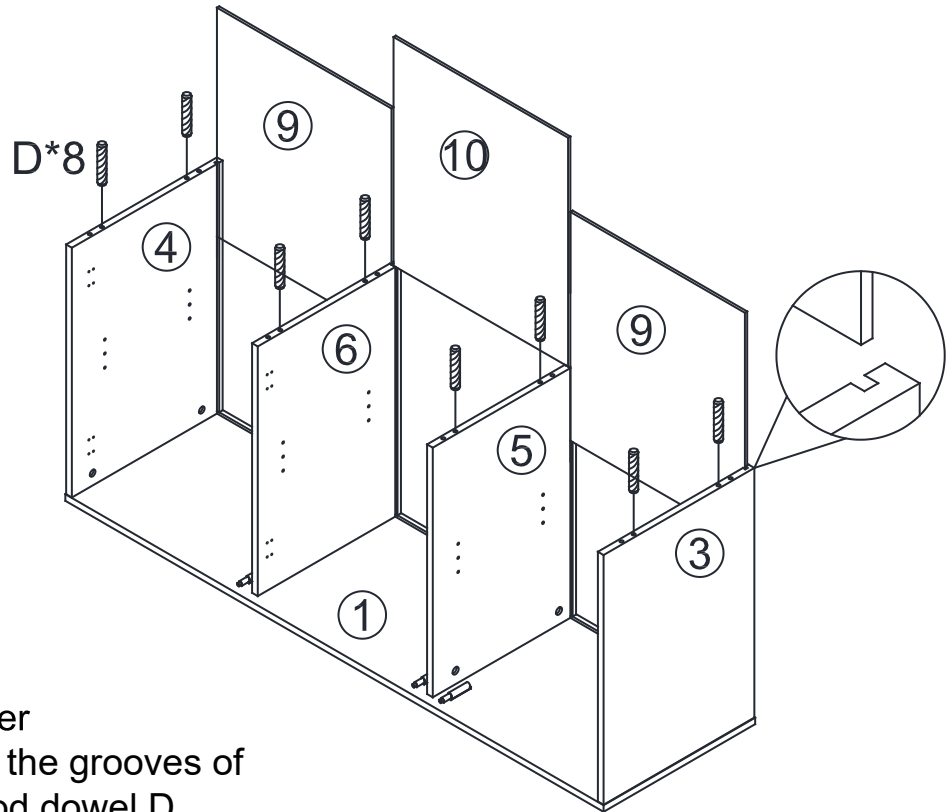
STEP 2




Use screwdriver and cam lock B to connect panel 3,5,6,4 with panel 1, make sure all parts aligned and fasten all cam lock to secure, then cover the cam lock B with sticker L.

L	x8	B	x8
			
		Ø15mm	

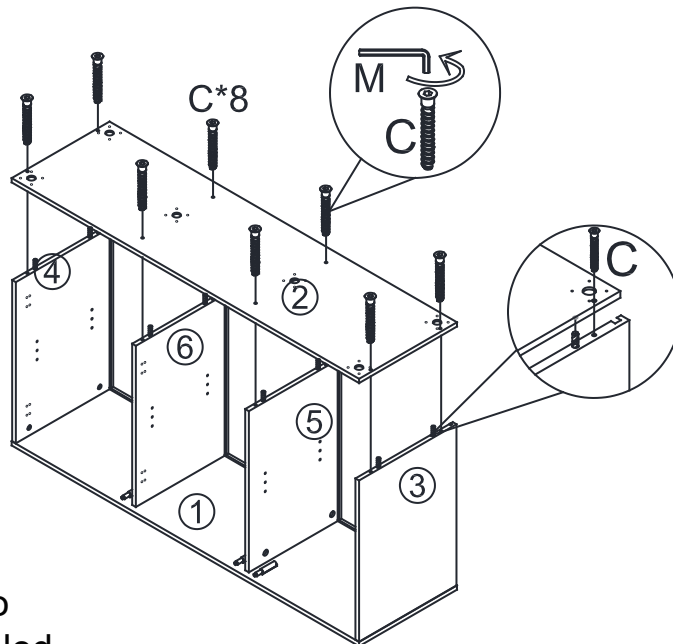
STEP 3




With help of adult partner
Insert panel 9 & 10 into the grooves of
panel 4,6,5,3,insert wood dowel D
into panel 3,5,6,4,make sure panel
9&10 properly set into grooves on
panel 4,6,5,3,1.


D	x8
	
Ø8*30mm	

STEP 4

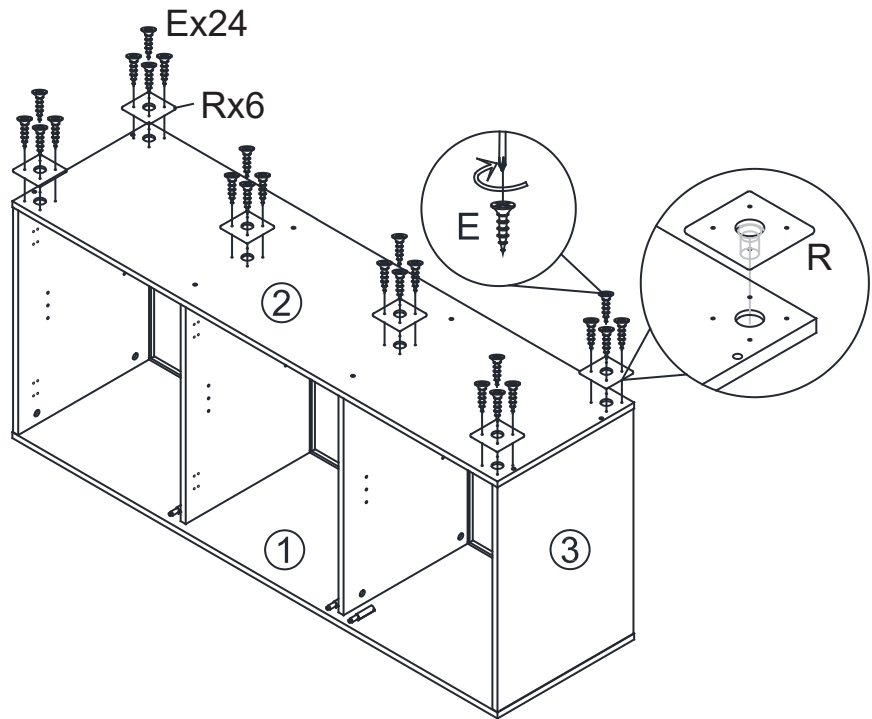


Use allen key M and bolt C to
connect panel 2 with assembled
unit 1,3,5,6,4,make sure all parts
properly aligned and fasten all bolts
to secure.



M	x1
	
M4	

C	x8
	
M7*50mm	

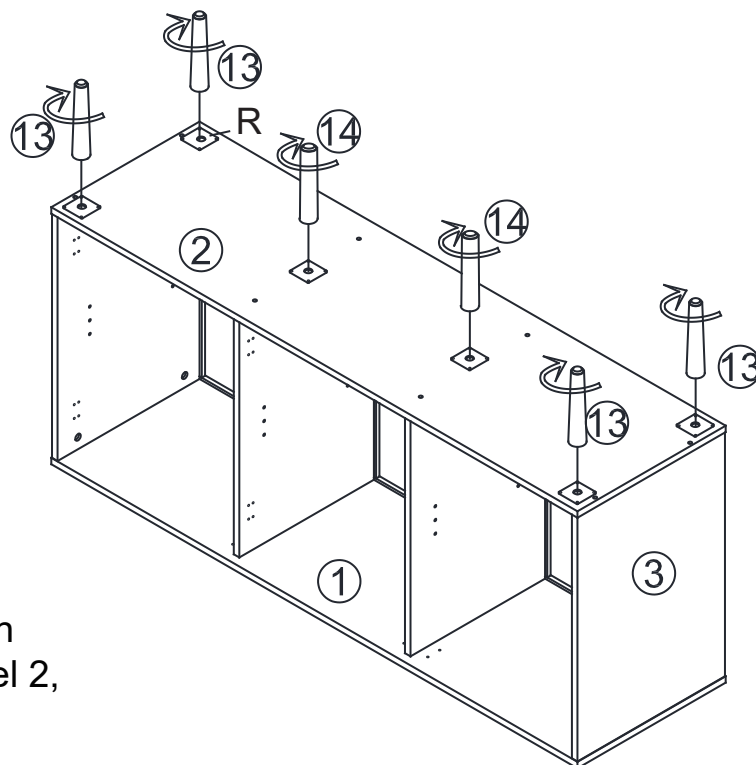
STEP 5



Use screwdriver and screw E to connect metal connector R with panel 2, then fasten screws to secure.

R	x6	E	x24
			
		Ø3.5*14mm	

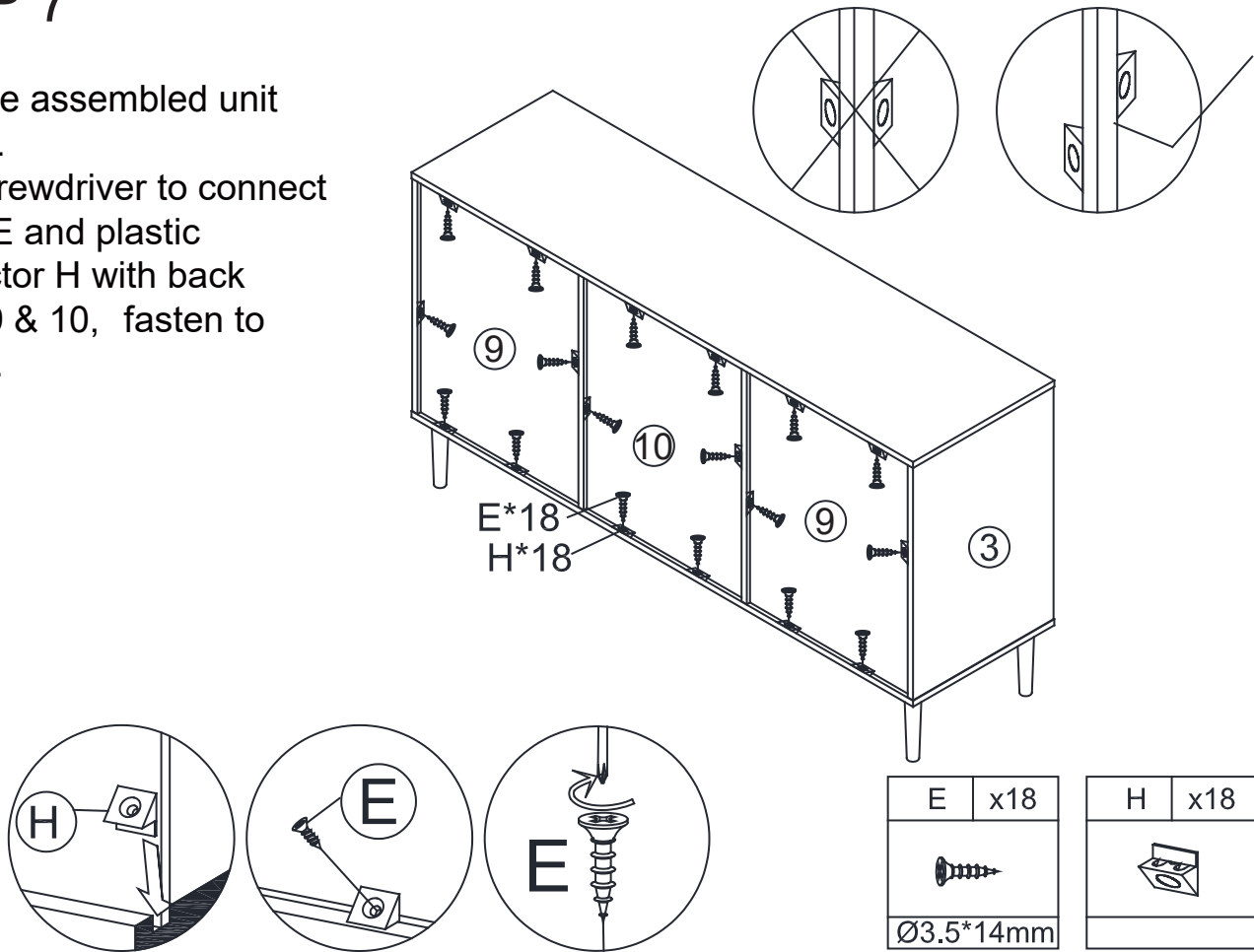
STEP 6



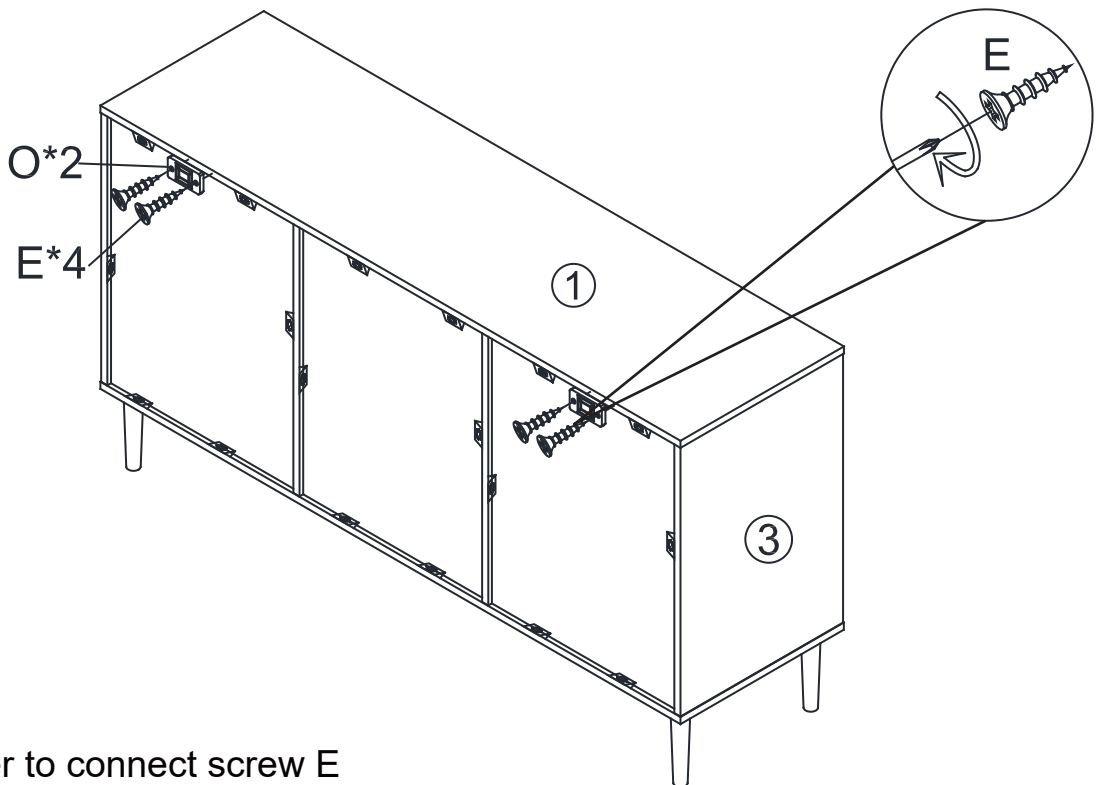
Connect leg 13 & 14 with metal connector on panel 2, then fasten to secure.

STEP 7

Turn the assembled unit upright.
Use screwdriver to connect screw E and plastic connector H with back panel 9 & 10, fasten to secure.

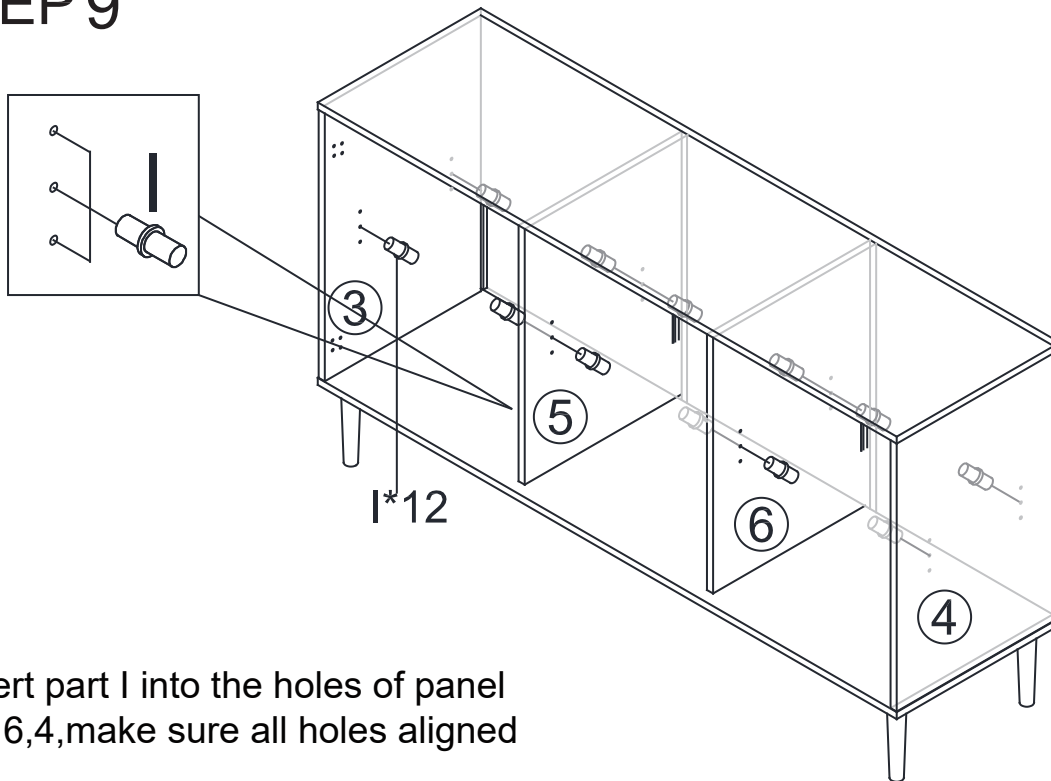


STEP 8



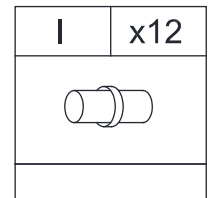
Use screwdriver to connect screw E with tipping kits O on rear edge of top panel 1, then fasten to secure.

STEP 9

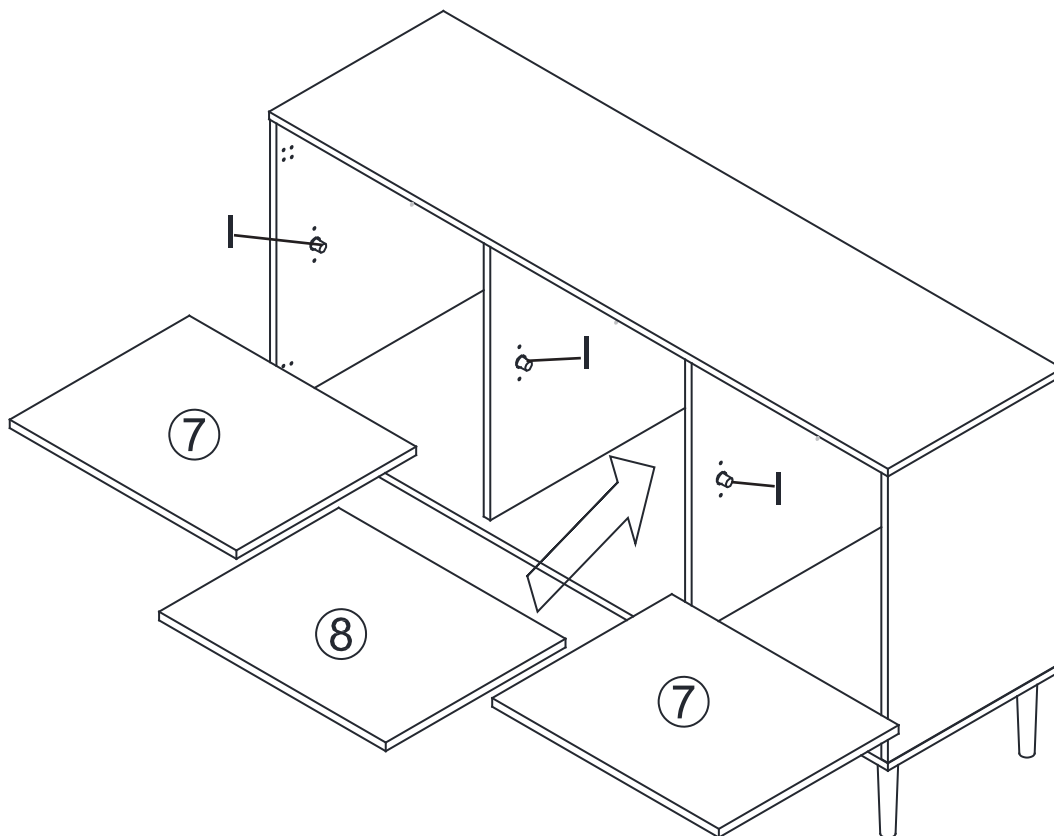


Insert part I into the holes of panel
3,5,6,4, make sure all holes aligned

Insert shelf pin I into desired level on part 3,5,6,4

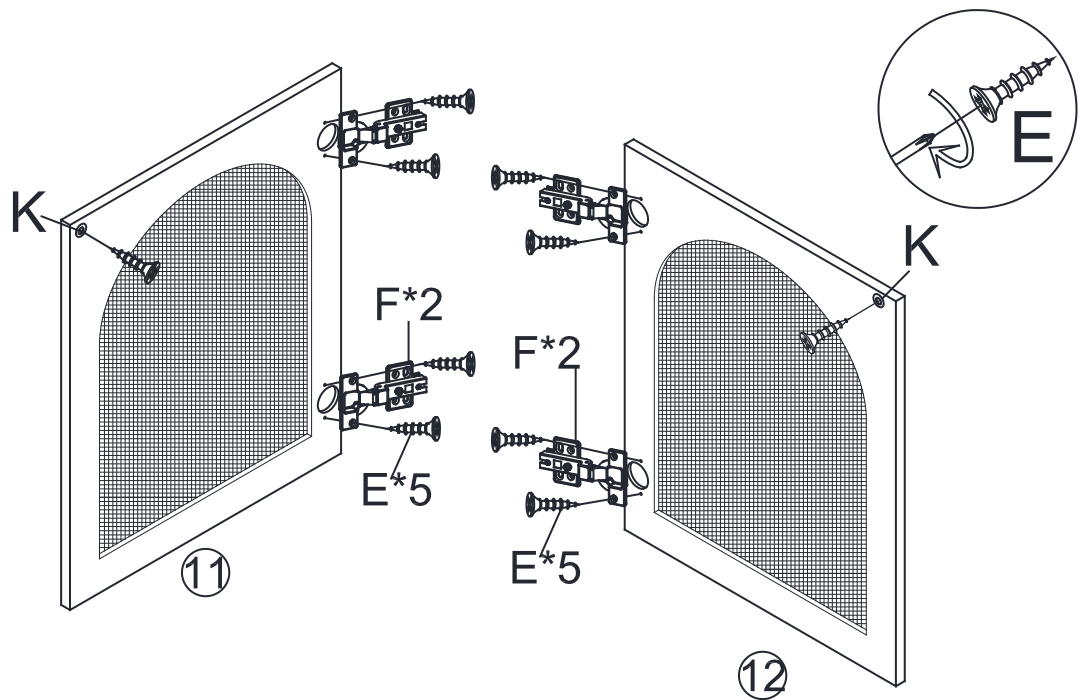


STEP 10



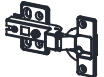


Slide shelf 7 & 8 into place on part I.

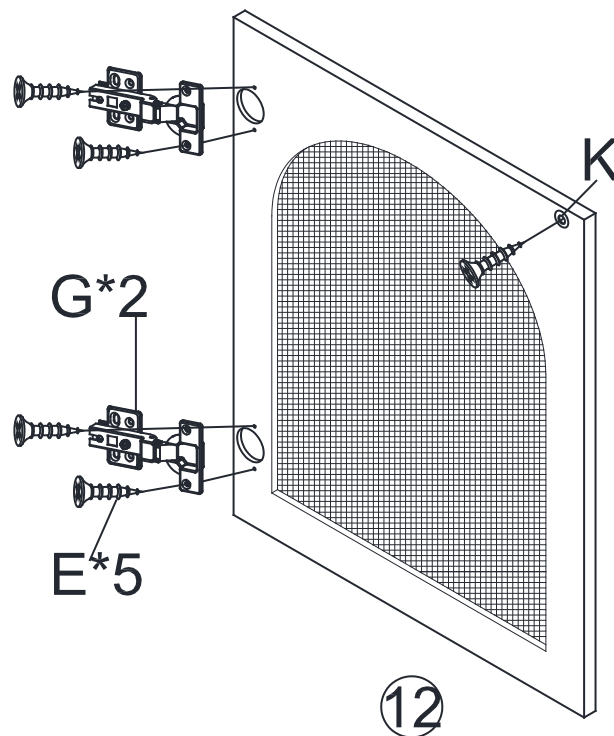
STEP 11






Use screwdriver to connect screw E with round metal catch K and hinge F on left door panel 11 & right door panel 12, fasten to secure.

K	x2	E	x10	F	x4
					
		Ø3.5*14mm			

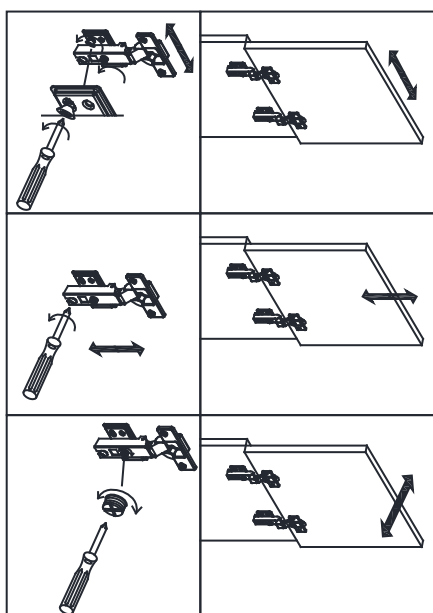
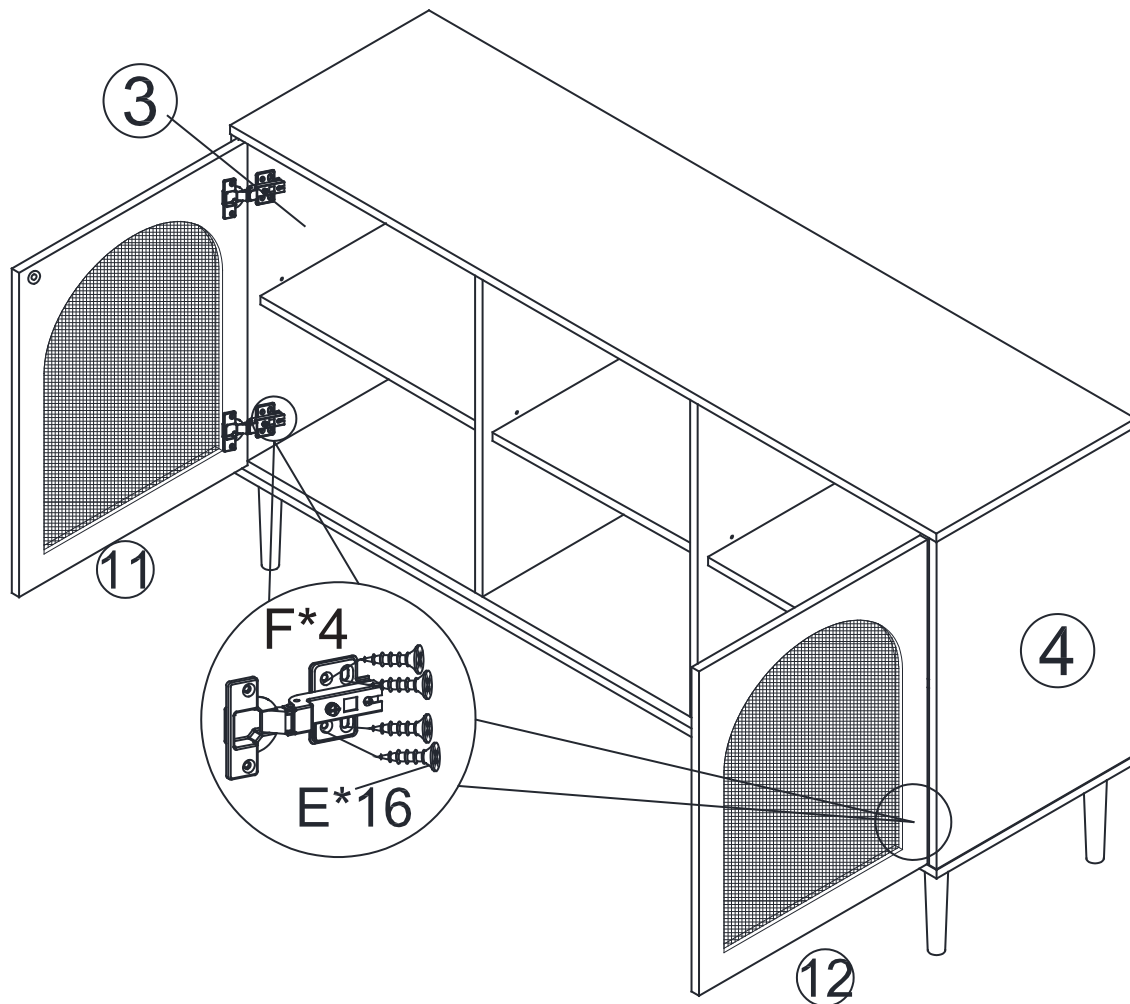
STEP 12



Use screwdriver to connect screw E with hinge G on center door panel 12, then fasten to secure.


K	x1	E	x5	G	x2
					
		Ø3.5*14mm			

STEP 13

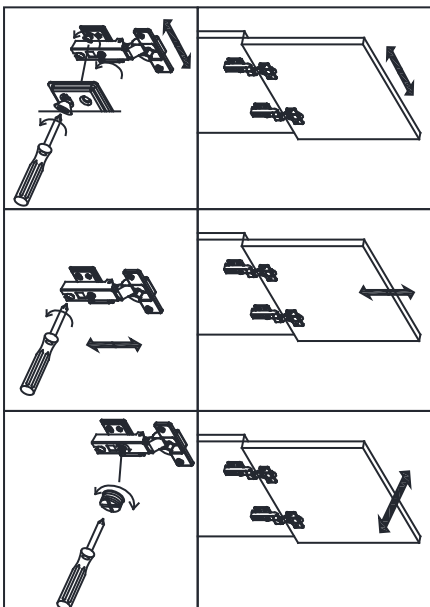
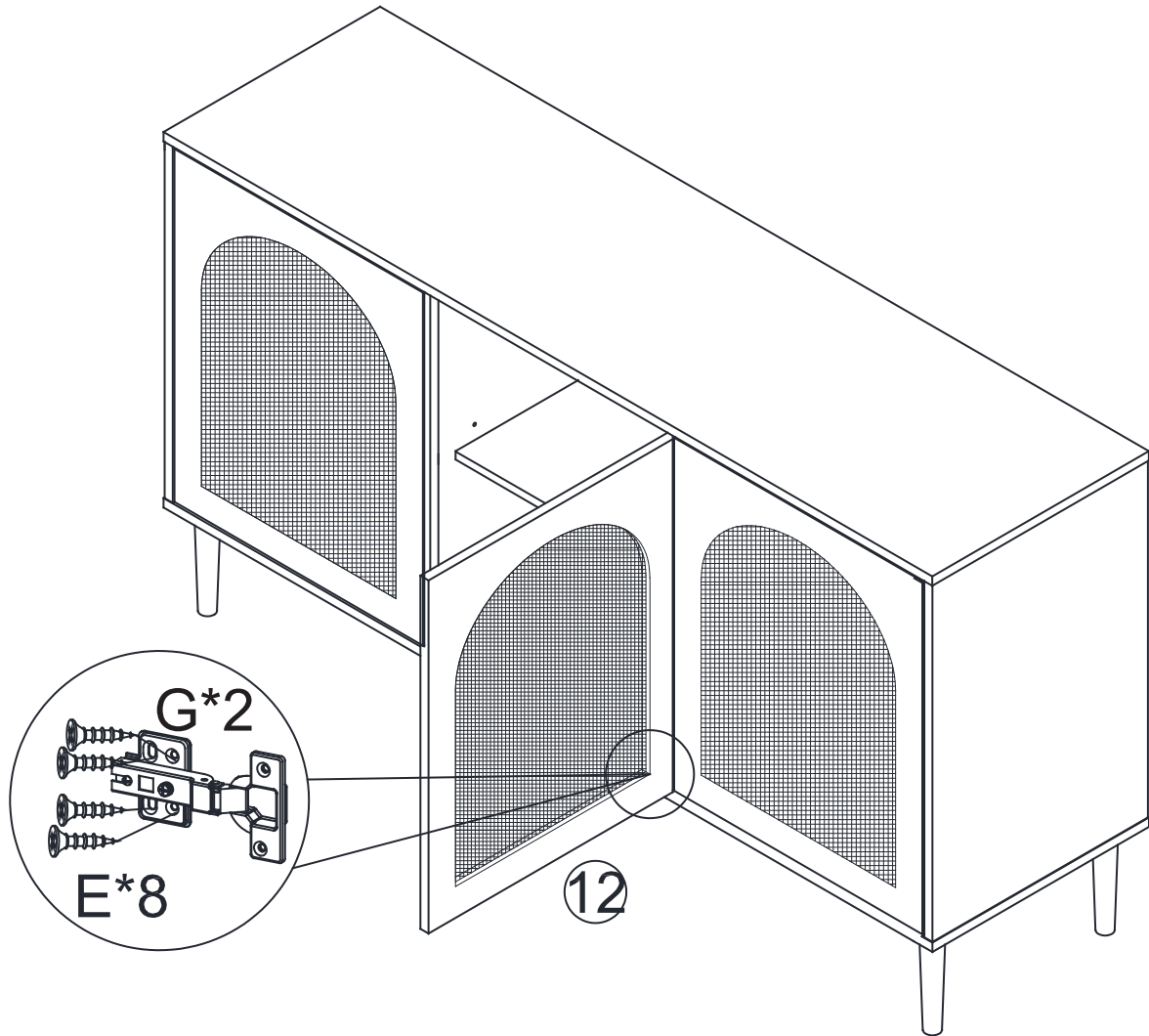


Use screwdriver to connect screw E and hinge F on left door panel 11 & right door panel 12 with left panel 3 and right panel 4, make sure all holes and hinges aligned, fasten to secure


Slightly loose bolt on hinge and carefully reposition the door to set the door properly aligned

E	x16
	
$\text{Ø}3.5 \times 14\text{mm}$	

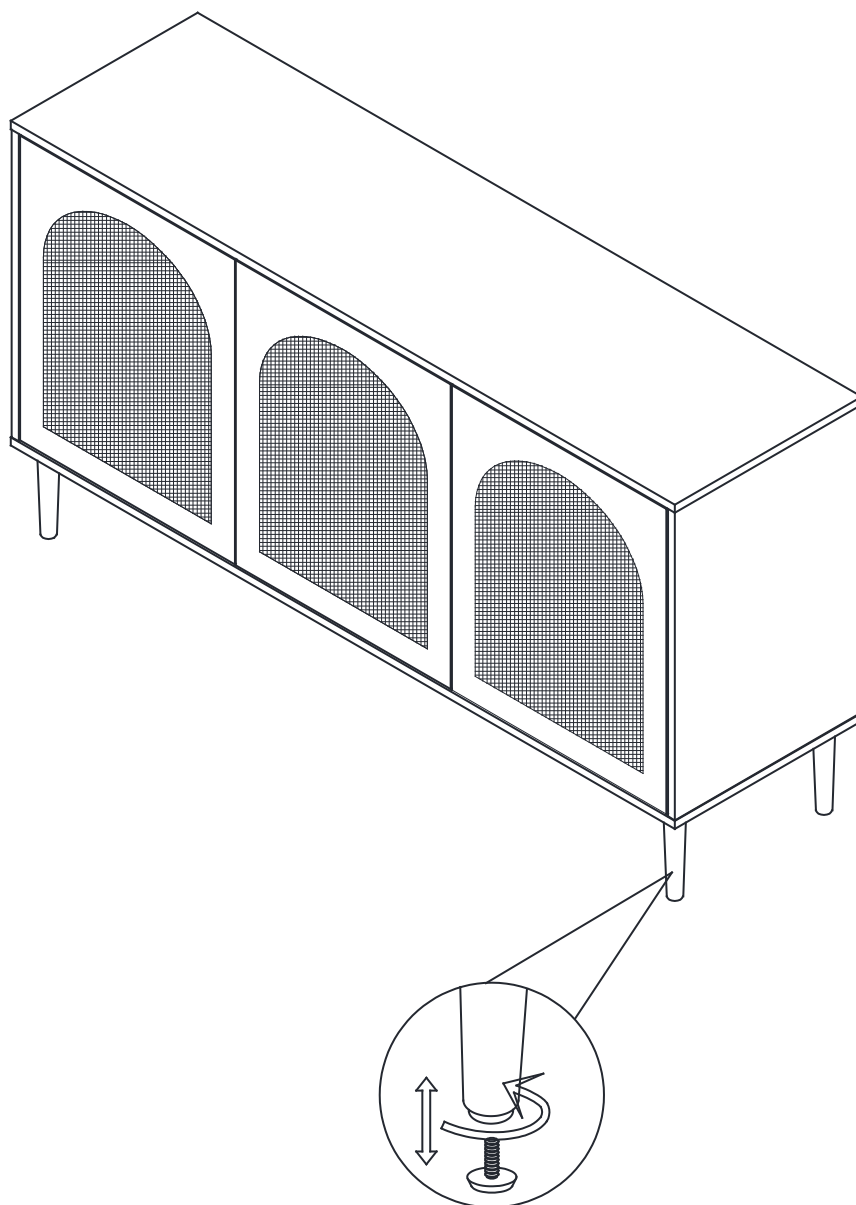
STEP 14



Use screwdriver to connect screw E with hinge G on center door panel 12 on panel 6, make sure all holes and hinges aligned and fasten to secure.

E	x8
	
Ø3.5*14mm	

STEP 15



Please adjust the levelers to keep the cabinet in balance.

STEP 16

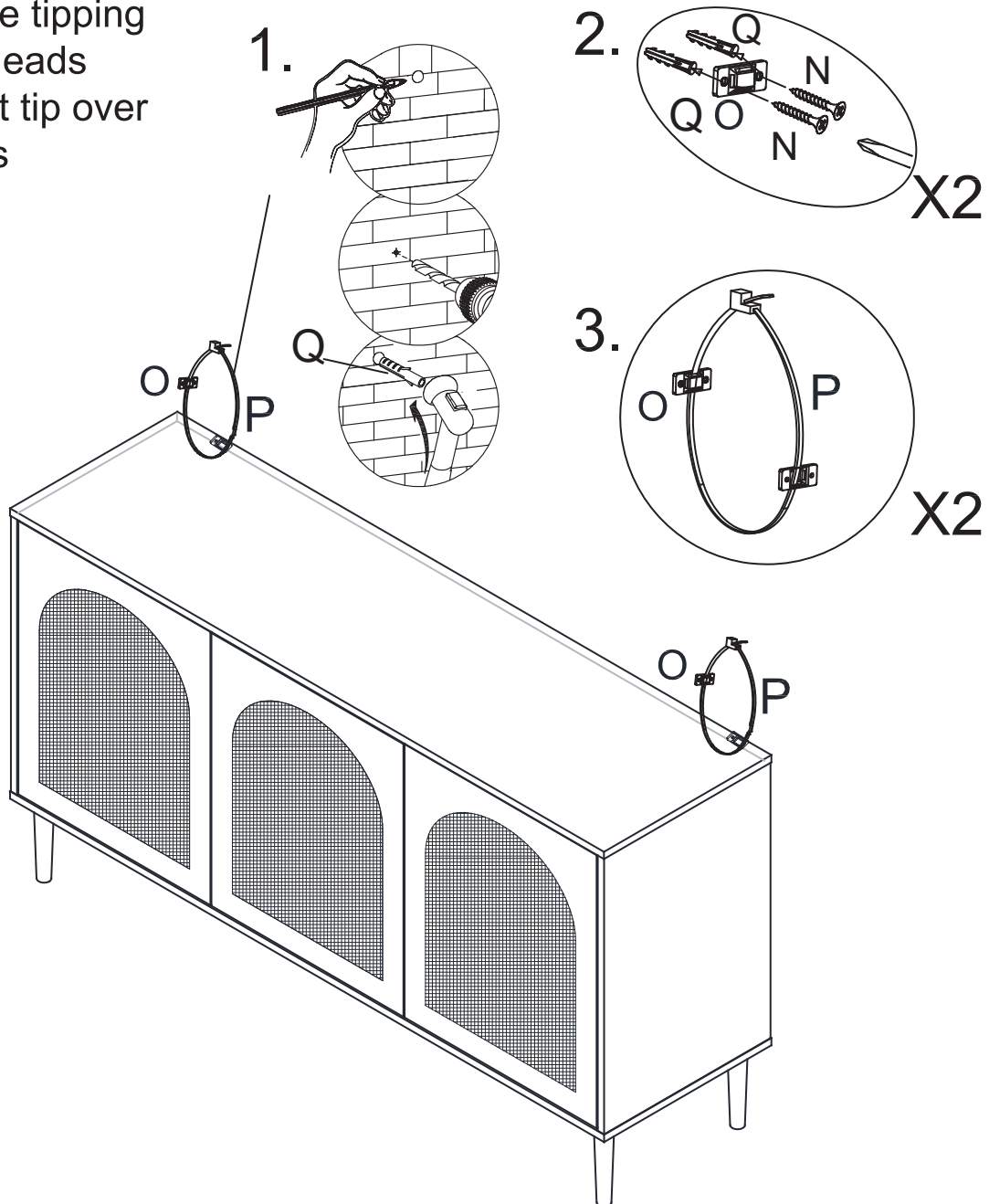
Install the tipping kits.

1. Mark the position on the wall, this should be same as the position of O where are on rear edge of panel 1; Drilled and insert the plastic insert Q by hammer;





2. Assemble the part O on the wall. Align the hole in the part O to the expandable screw Q, screw N in and tighten by screwdriver S;

3. let the plastic belt P go through the both O and pull to tighten.

Fail to use tipping kits may leads to cabinet tip over or injuries



Assembly completed

Q	x4	N	x4	O	x2	P	x2
							
		Ø4*35mm					

WARRANTY

We strive to offer high-quality products, and we also try our best to satisfy each and every customer that orders from us with product or service as needed. We provide 30 days warranty starting from the time you receive the item. Each customer must provide a record of their order such as the order number, or item receipt for any items that are out of the warranty period you may also still receive replacement parts by purchasing them with our company if they are available.

**Are you having difficulty
with assembly? Missing parts?**

Please send email with your order No

customerservice@hulalahome.com

**For return, Please check the return policy with
the retailer or MarketPlace you bought from.**

**Appreciated your purchasing from us.
Pop up your life by our furniture piece!**