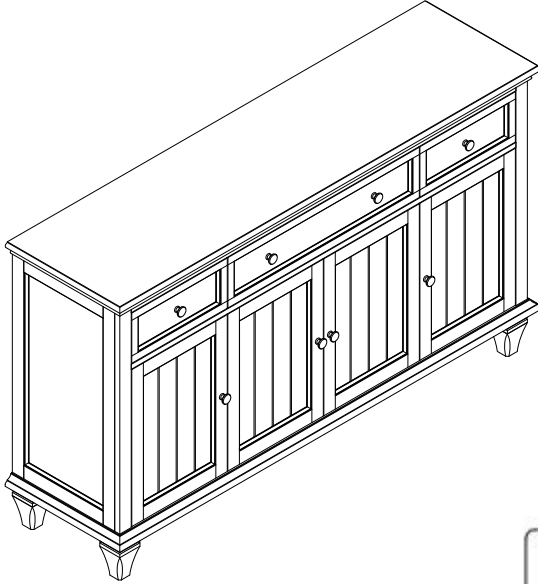
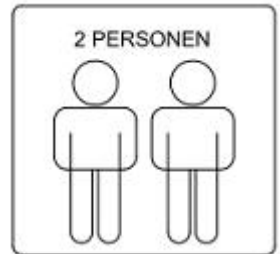


HULALA

H O M E



ITEM NO. SBHM0624



NOTE:

This brochure contains IMPORTANT safty info. Please read and keep for future reference.

MAINTAINANCE AND WARNING

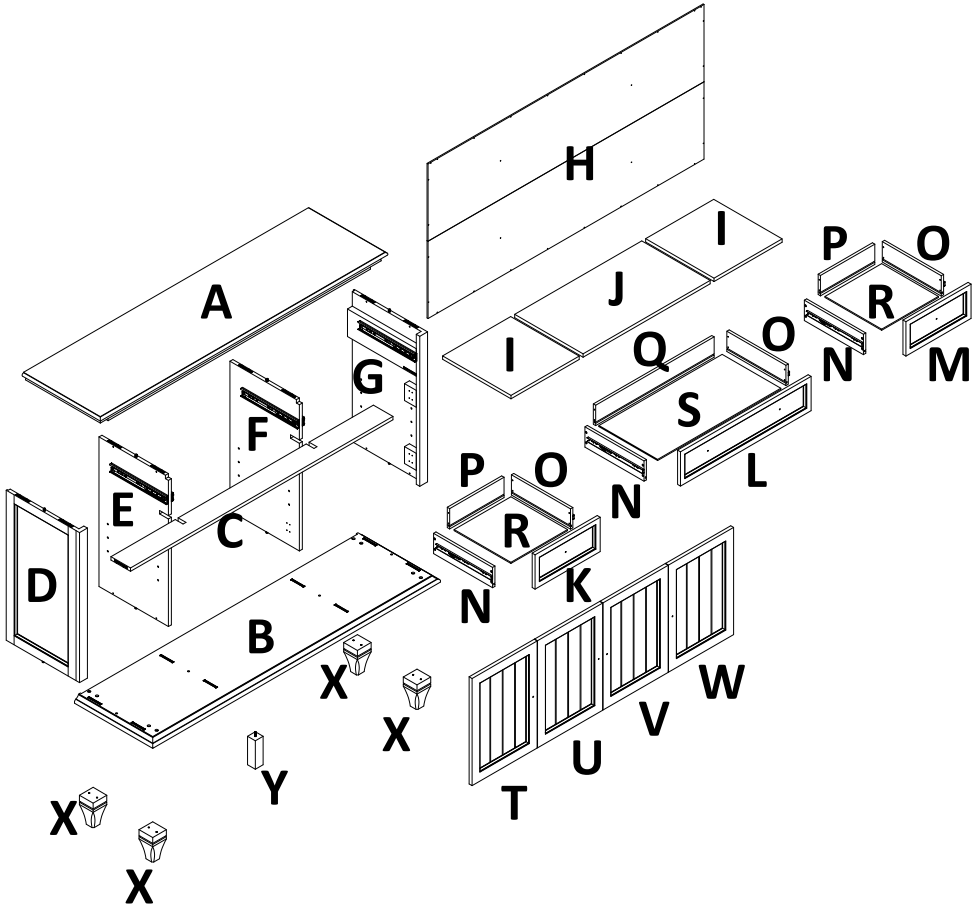
- Keep furniture away from heat.
- Do not clean furniture with harsh cleansers or polish. Do not use detergents, Solvents, abrasives, spray packs or leather cleaner. Use non-color mild soap with warm water clean spills(Mix 1:10 soap to water)
- Do not place furniture under direct sunlight, material will possibly fade over time.
- Do not use on site dry Cleaning machine.
- Children should not climb or jump on the furniture.
- Do not write on furniture without a padded barrier to protect the surface.
- Not for commercial use, For residential use only.



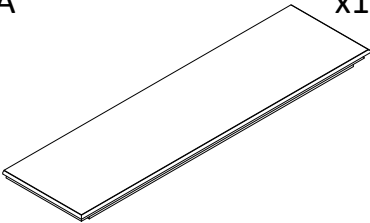
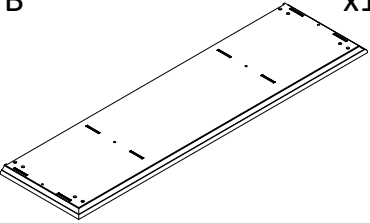
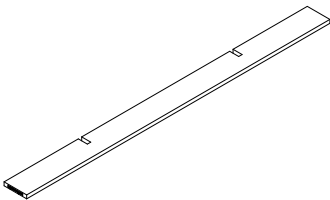
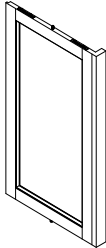
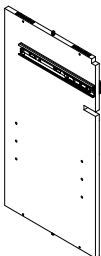
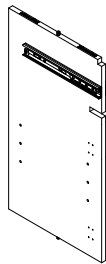
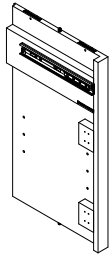
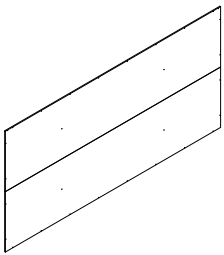
Weight Limitation

150LBS

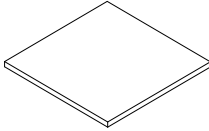
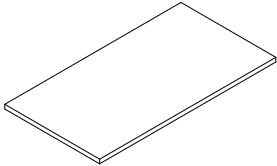
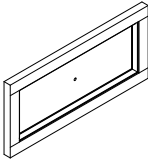
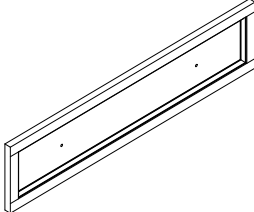
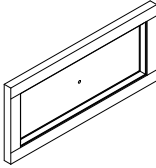
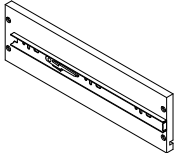
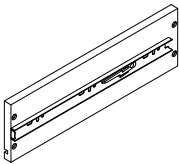
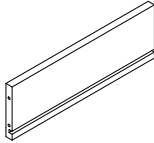
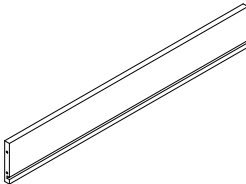
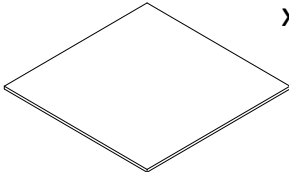
ASSEMBLY INSTRUCTIONS



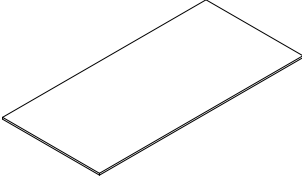
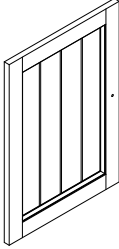
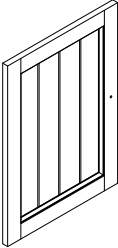
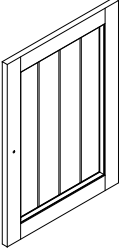
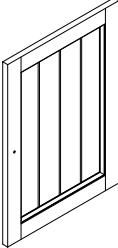
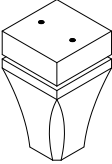

PARTS LIST

<p>A x1</p>  <p>Top panel</p>	<p>B x1</p>  <p>Bottom panel</p>
<p>C x1</p>  <p>Front rail</p>	<p>D x1</p>  <p>Left side panel</p>
<p>E x1</p>  <p>Middle vertical panel left</p>	<p>F x1</p>  <p>Middle vertical panel right</p>
<p>G x1</p>  <p>Right side panel</p>	<p>H x1</p>  <p>Back panel</p>

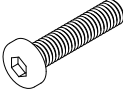

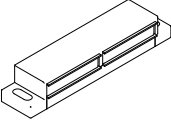

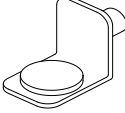

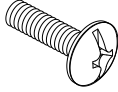
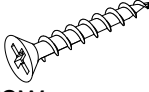
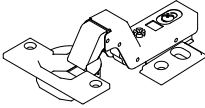
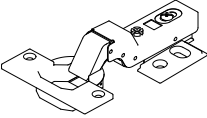
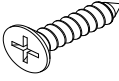
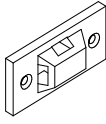
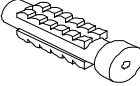
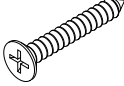

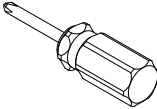
PARTS LIST

<p>I  x2</p> <p>Side adjustable panel</p>	<p>J  x1</p> <p>Middle adjustable panel</p>
<p>K  x1</p> <p>Drawer front left</p>	<p>L  x1</p> <p>Drawer front middle</p>
<p>M  x1</p> <p>Drawer front right</p>	<p>N  x3</p> <p>Drawer side left</p>
<p>O  x3</p> <p>Drawer side right</p>	<p>P  x2</p> <p>Drawer back side</p>
<p>Q  x1</p> <p>Drawer back middle</p>	<p>R  x2</p> <p>Drawer bottom side</p>

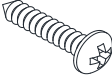
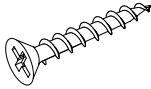
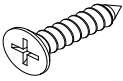
PARTS LIST

<p>S x1</p>  <p>Drawer bottom middle</p>	<p>T x1</p>  <p>Left door</p>
<p>U x1</p>  <p>Middle left door</p>	<p>V x1</p>  <p>Middle right door</p>
<p>W x1</p>  <p>Right door</p>	<p>X x4</p>  <p>Leg</p>
<p>Y x1</p>  <p>Middle leg</p>	

HARDWARE LIST

<p>1  x8</p> <p>Bolt ø1/4"x1-3/4"L</p>	<p>2  x1</p> <p>Allen wrench</p>	<p>3  x1</p> <p>Magnet</p>
<p>4  x28</p> <p>Screw ø3x15mm</p>	<p>5  x12</p> <p>Shelf holder</p>	<p>6  x8</p> <p>Knob</p>
<p>7  x8</p> <p>bolt ø4x19mm</p>	<p>8  x24</p> <p>Screw ø8x25mm</p>	<p>9  x4</p> <p>Hinge</p>
<p>10  x4</p> <p>Hinge</p>	<p>11  x52</p> <p>Screw ø3x15mm</p>	<p>12  x4</p> <p>Bracket</p>
<p>13  x4</p> <p>Expansion nut</p>	<p>14  x4</p> <p>Screw ø7x35mm</p>	<p>15  x2</p> <p>Tie</p>
<p>16  x1</p> <p>screwdriver</p>		



SPARE

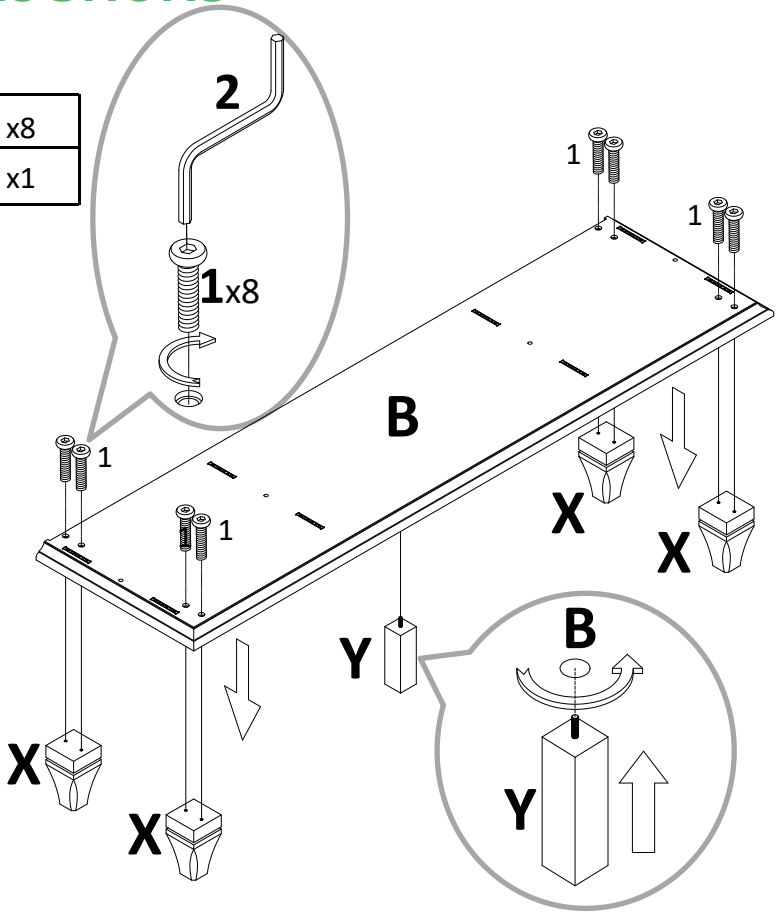
4  Screw ø3x15mm	8  Screw ø8x25mm	11  Screw ø3x15mm
--	--	---

Be sure to check all packing material carefully for small parts, which may have come loose inside the carton during shipment.

ASSEMBLY INSTRUCTIONS

Step 1



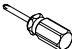
1		x8
2		x1

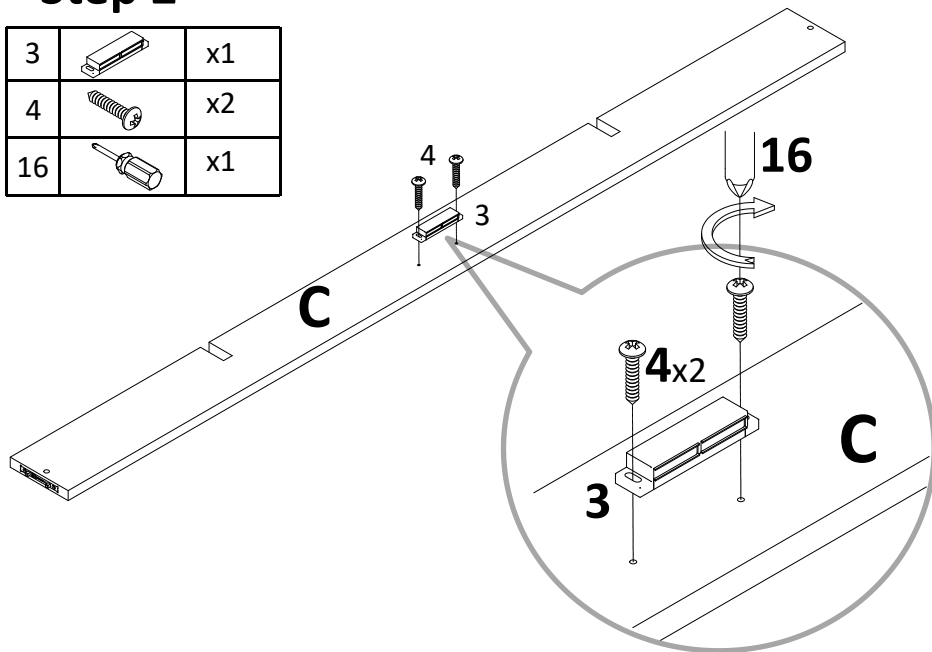


Attach leg(X/Y) to bottom panel(B) with bolt(1) , tight it with Allen wrench(2).

ASSEMBLY INSTRUCTIONS

Step 2

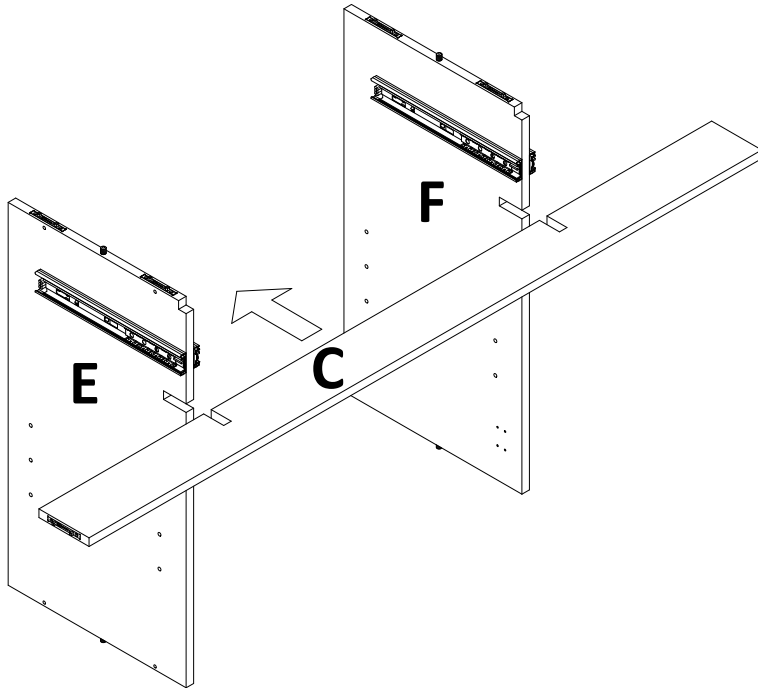
3		x1
4		x2
16		x1



Attach Magnet(3) to front rail (C) with screw(4) , tight it with screwdriver(16).

ASSEMBLY INSTRUCTIONS

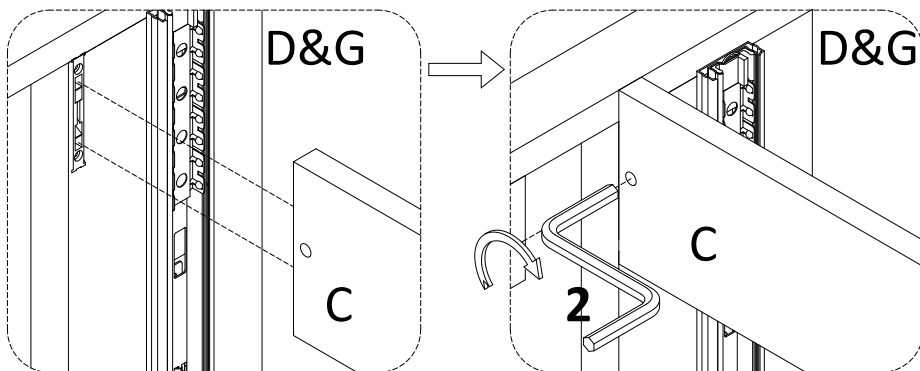
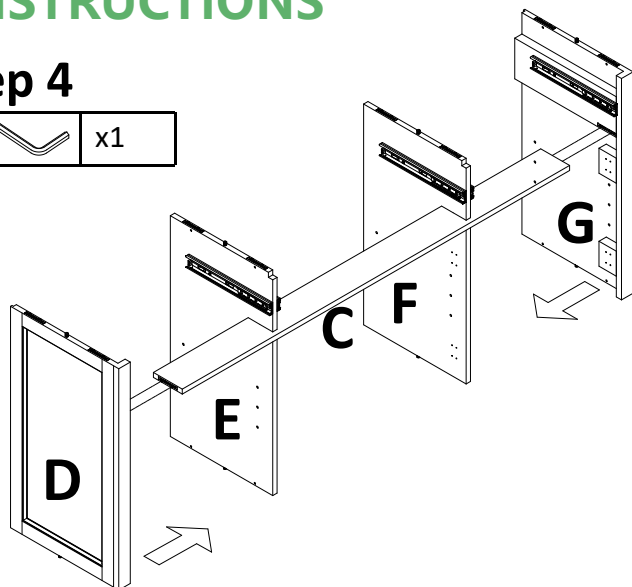
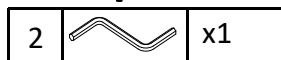
Step 3



Slide front rail(C) to middle left vertical panel(E) and middle right vertical panel(F).

ASSEMBLY INSTRUCTIONS

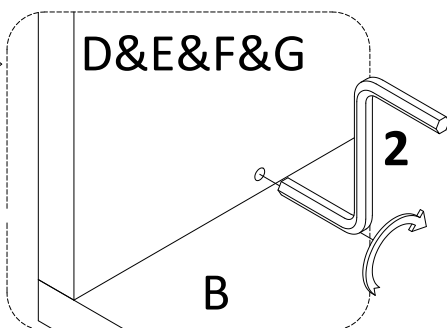
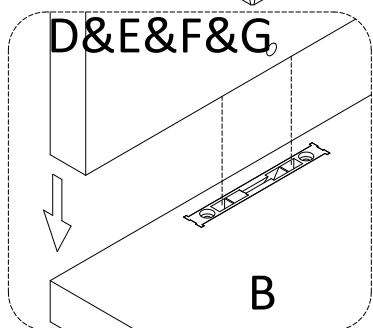
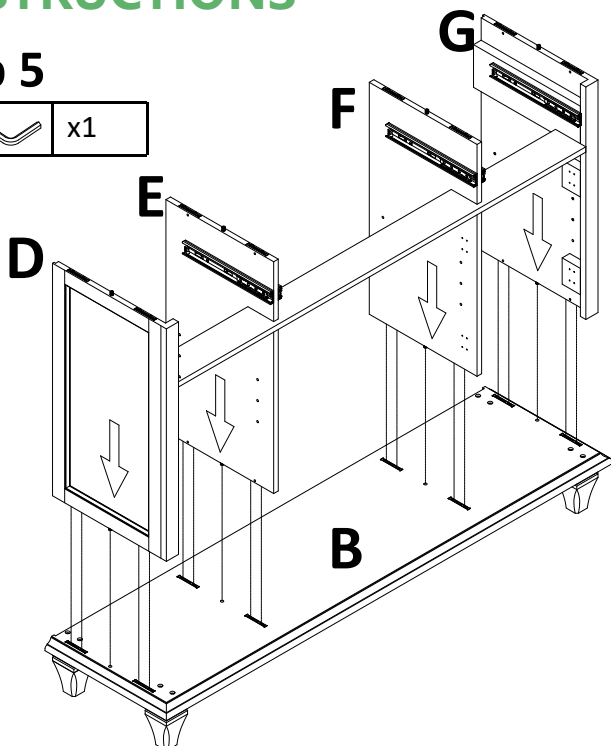
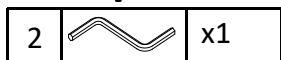
Step 4



Attach left side panel(D) and right side panel(G) to preassemble unit at step 3 , and tight it with Allen wrench(2).

ASSEMBLY INSTRUCTIONS

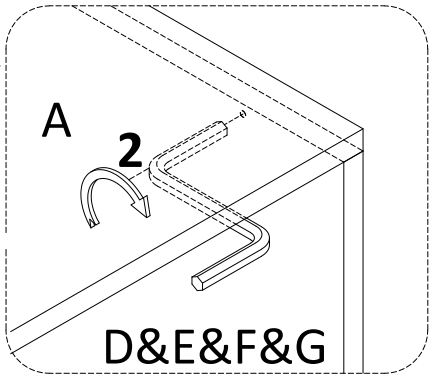
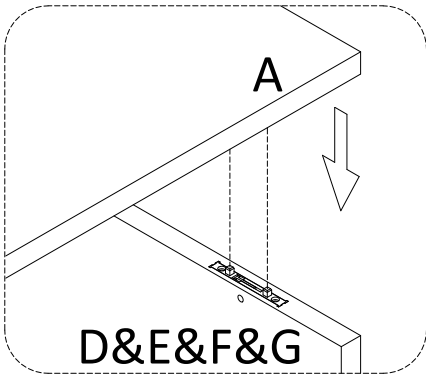
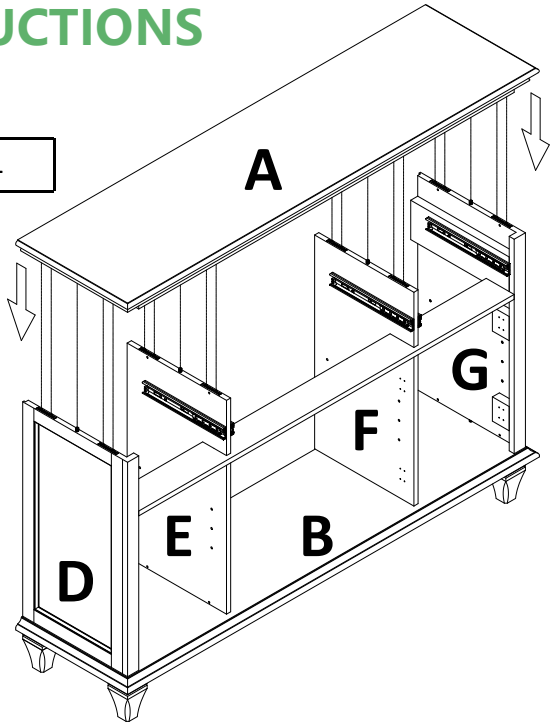
Step 5



Attach preassembly unit at step 4 to bottom panel(B) , and tight it with Allen wrench(2).

ASSEMBLY INSTRUCTIONS


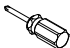
Step 6

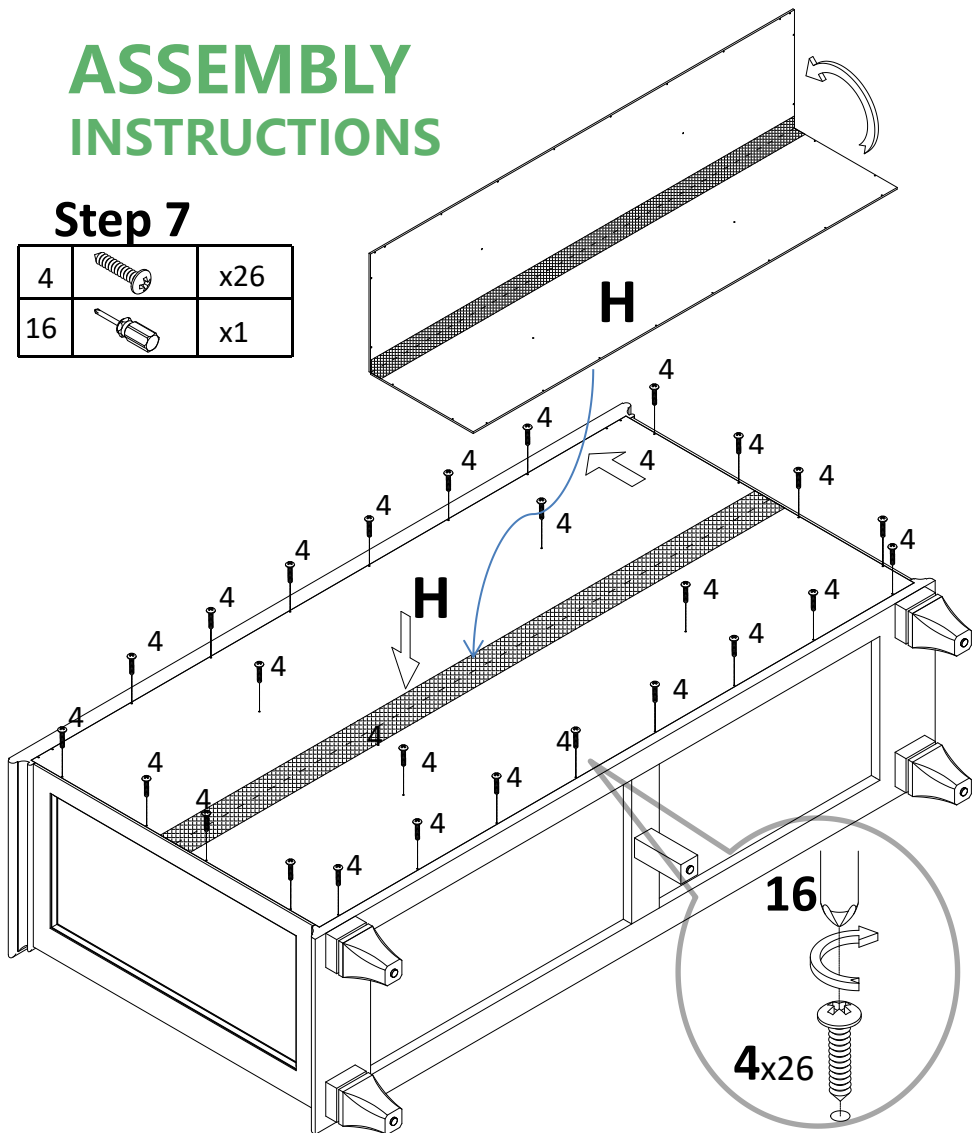


Attach preassembly unit at step 5 to top panel(A) , and tight it with Allen wrench(2).

ASSEMBLY INSTRUCTIONS

Step 7

4		x26
16		x1

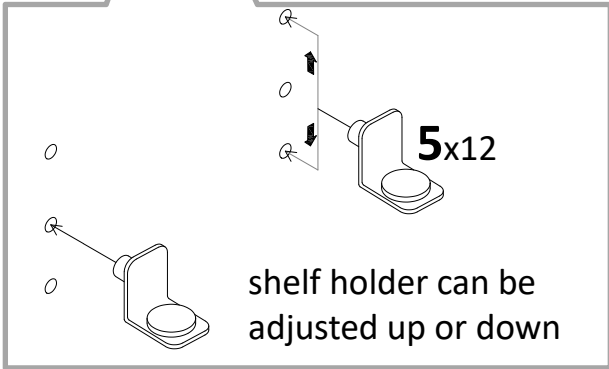
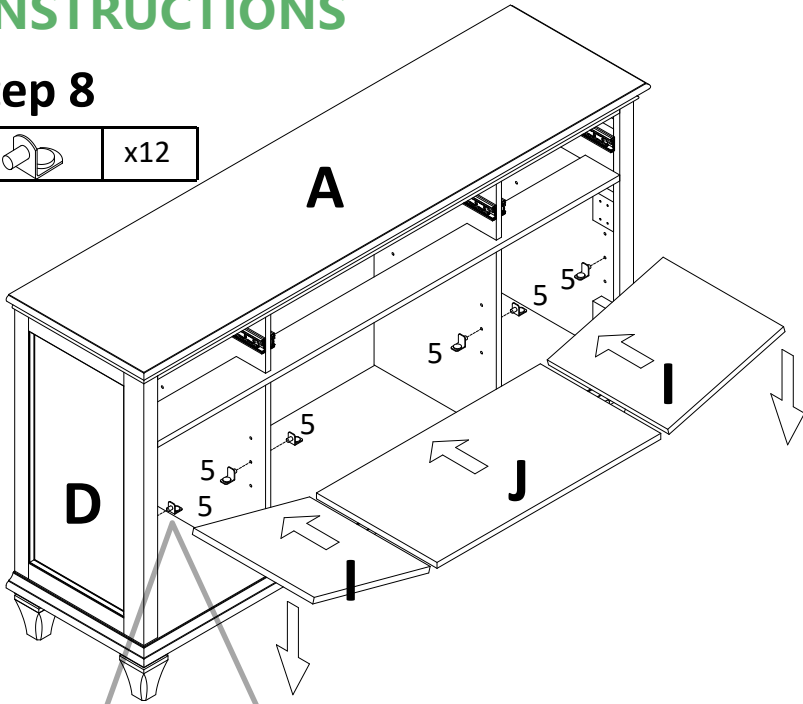


Attach back panel (H) to preassembly unit at step 6 with screw (4), tight screw with screwdriver (16).

ASSEMBLY INSTRUCTIONS

Step 8



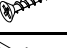

5		x12
---	---	-----

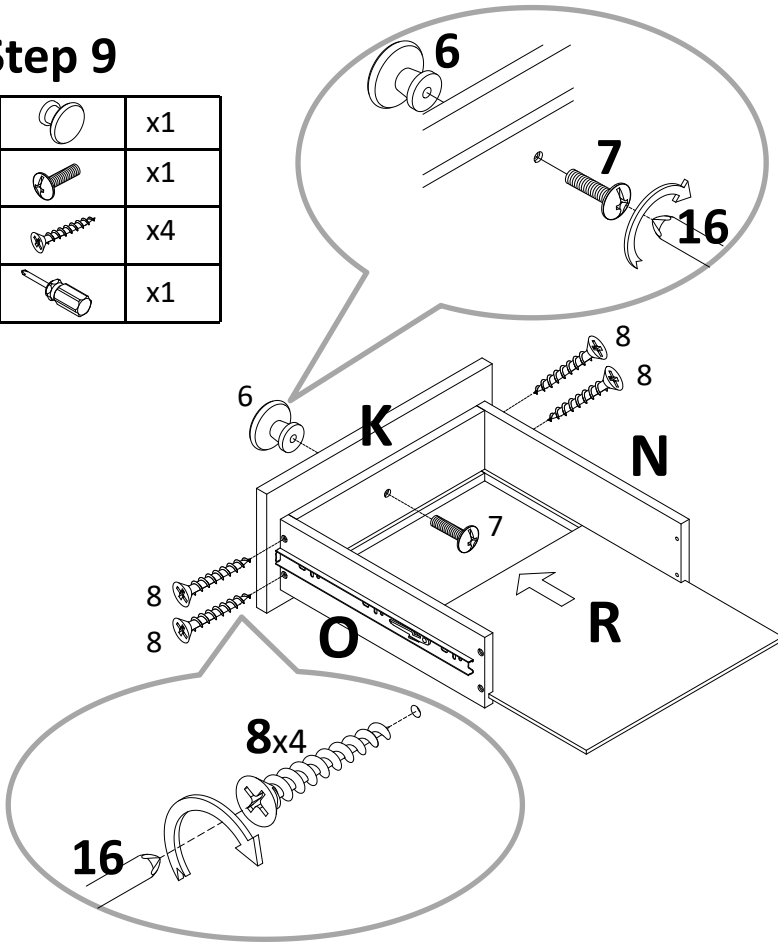


Insert shelf holder (5) to preassemble unit at step 7 , and attach adjustable shelf (I/J) to it.

ASSEMBLY INSTRUCTIONS

Step 9


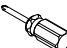
6		x1
7		x1
8		x4
16		x1

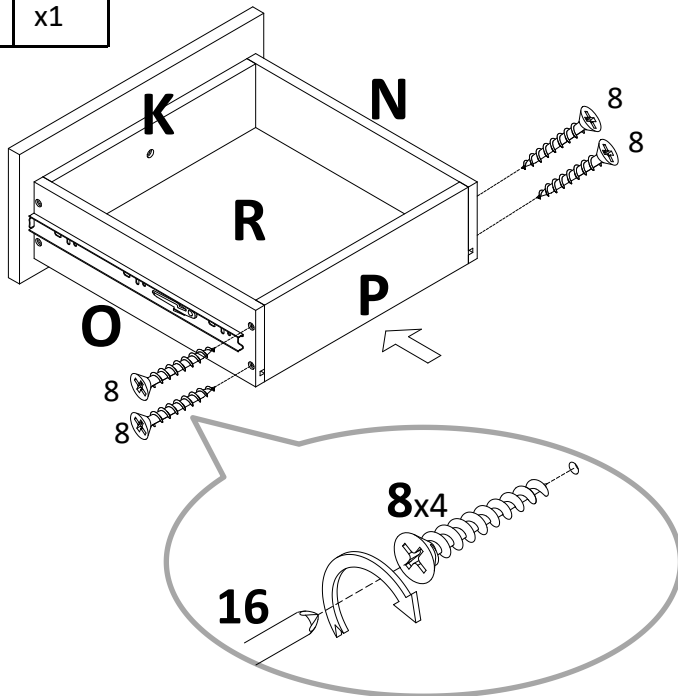


Attach drawer side right(O) and drawer side left(N) to drawer front left (K) with screw(8), tight it with screwdriver(16), slide drawer bottom side (R) to them. Attach knob(6) to drawer front left(K) with bolt(7). Tight bolt with screwdriver(16).

ASSEMBLY INSTRUCTIONS

Step 10

8		x4
16		x1

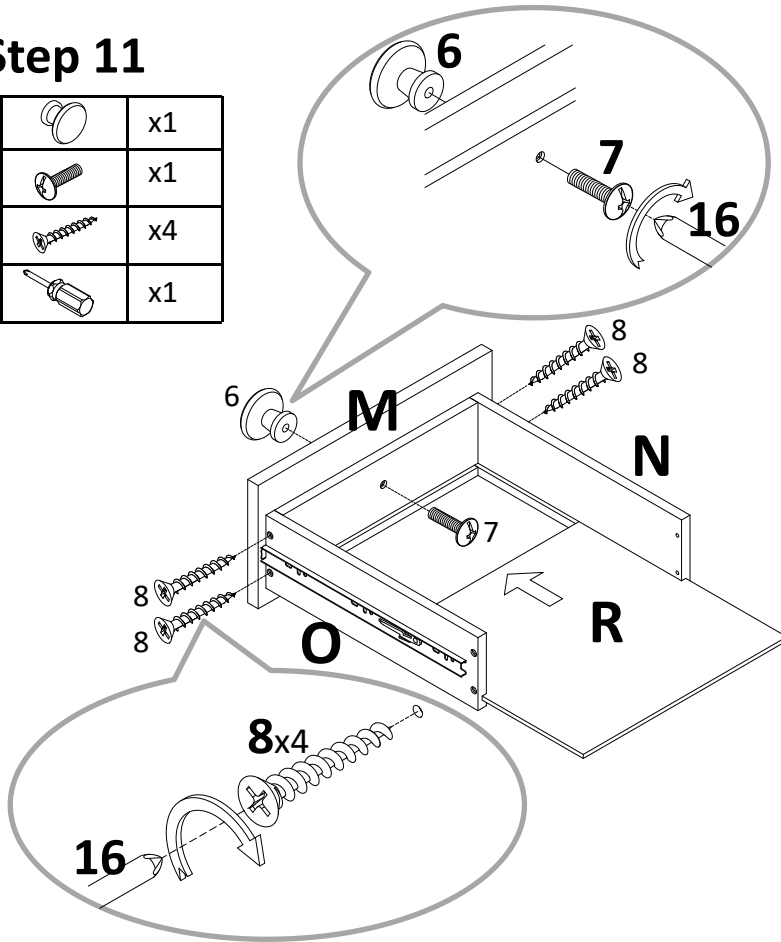


Attach drawer back side(P) to preassemble unit at step 9 with screw(8), tight screw with screwdriver(16).

ASSEMBLY INSTRUCTIONS

Step 11


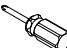
6		x1
7		x1
8		x4
16		x1

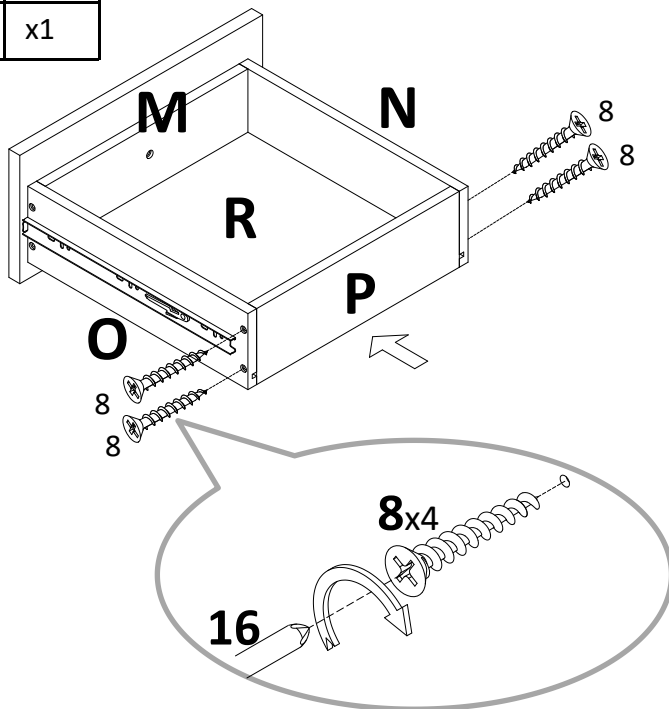


Attach drawer side right(O) and drawer side left(N) to drawer front right (M) with screw(8), tight it with screwdriver(16), slide drawer bottom side (R) to them. Attach knob(6) to drawer front right(M) with bolt(7). Tight bolt with screwdriver(16).

ASSEMBLY INSTRUCTIONS

Step 12





8		x4
16		x1

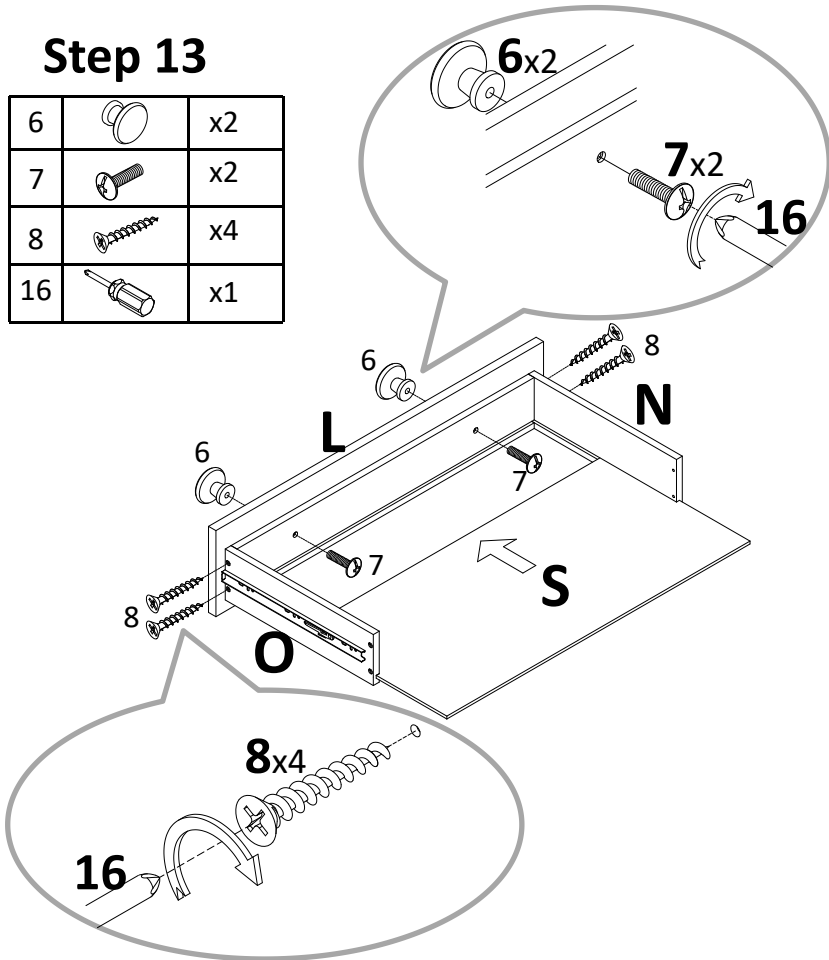


Attach drawer back side(P) to preassembly unit at step 11 with screw(8), tight screw with screwdriver(16).

ASSEMBLY INSTRUCTIONS

Step 13


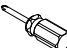
6		x2
7		x2
8		x4
16		x1

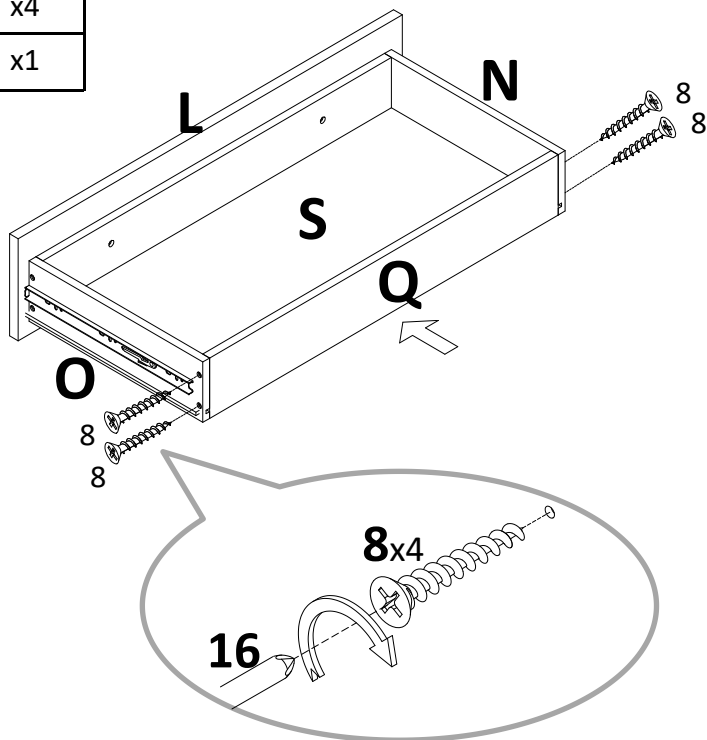


Attach drawer side right(O) and drawer side left(N) to drawer front middle (L) with screw(8), tight it with screwdriver(16), slide drawer bottom middle (S) to them. Attach knob(6) to drawer front middle(L) with bolt(7). Tight bolt with screwdriver(16).

ASSEMBLY INSTRUCTIONS

Step 14

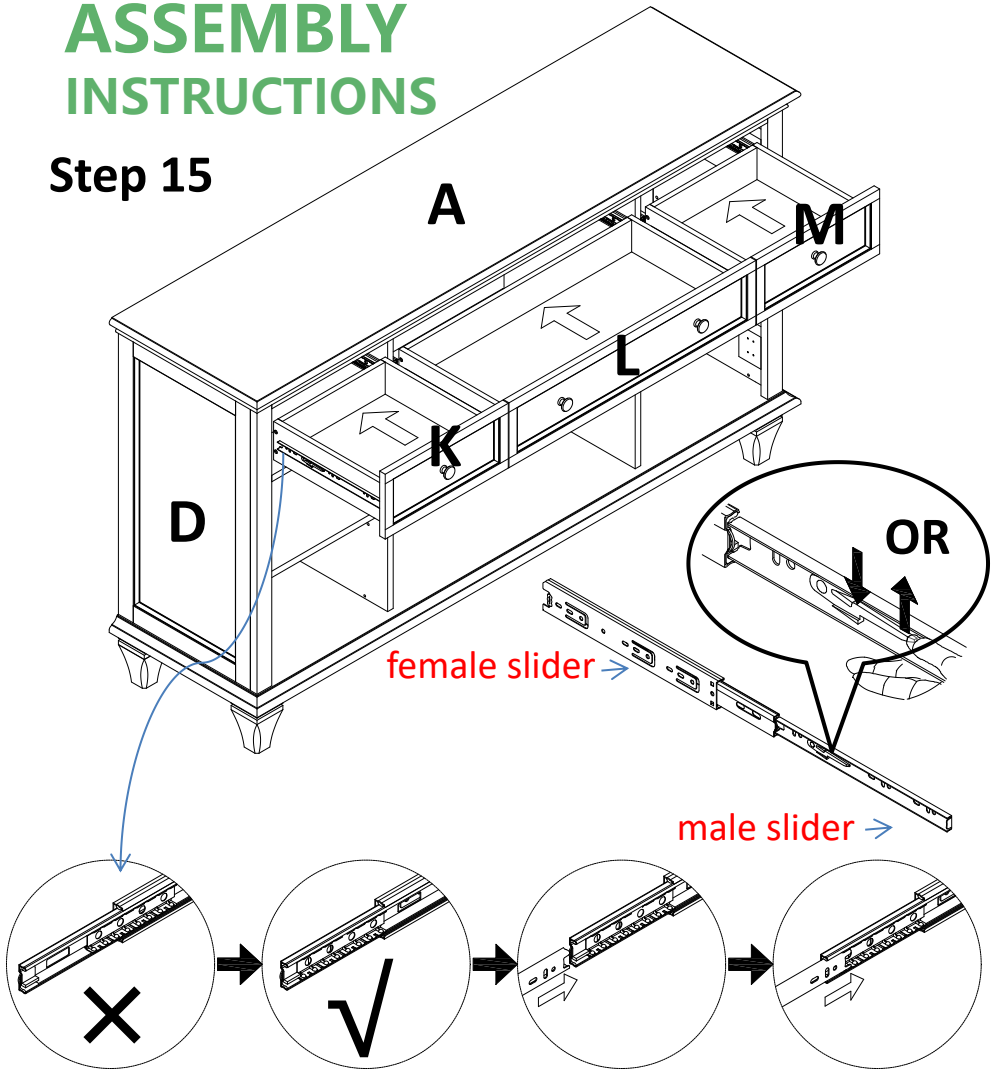
8		x4
16		x1



Attach drawer back middle(Q) to preassemble unit at step 13 with screw(8), tight screw with screwdriver(16).

ASSEMBLY INSTRUCTIONS

Step 15



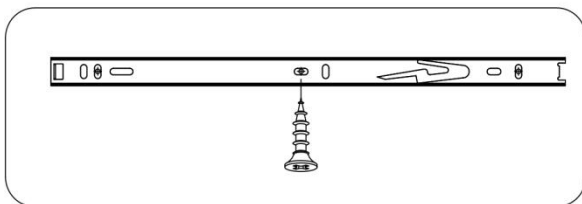
Make sure to move the ball bearing to front end, carefully align male and female slides before insert drawer box.

Attach drawer to preassemble unit at step 15.

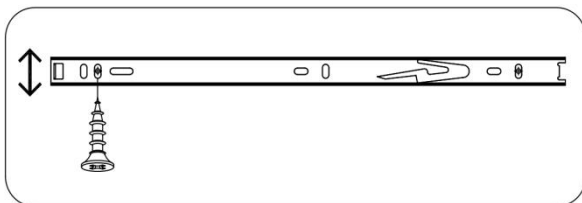
ASSEMBLY INSTRUCTIONS

Step 16

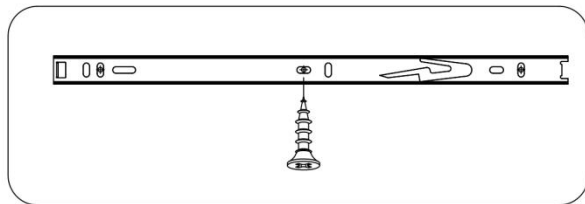
Once the drawer is assembled,if the drawer face does not fit the wood frame, perform the following operations:



1.loosen the screw by screwdriver.







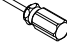
2.Loosen the screw,adjust the screw to the desired position, then tighten it.

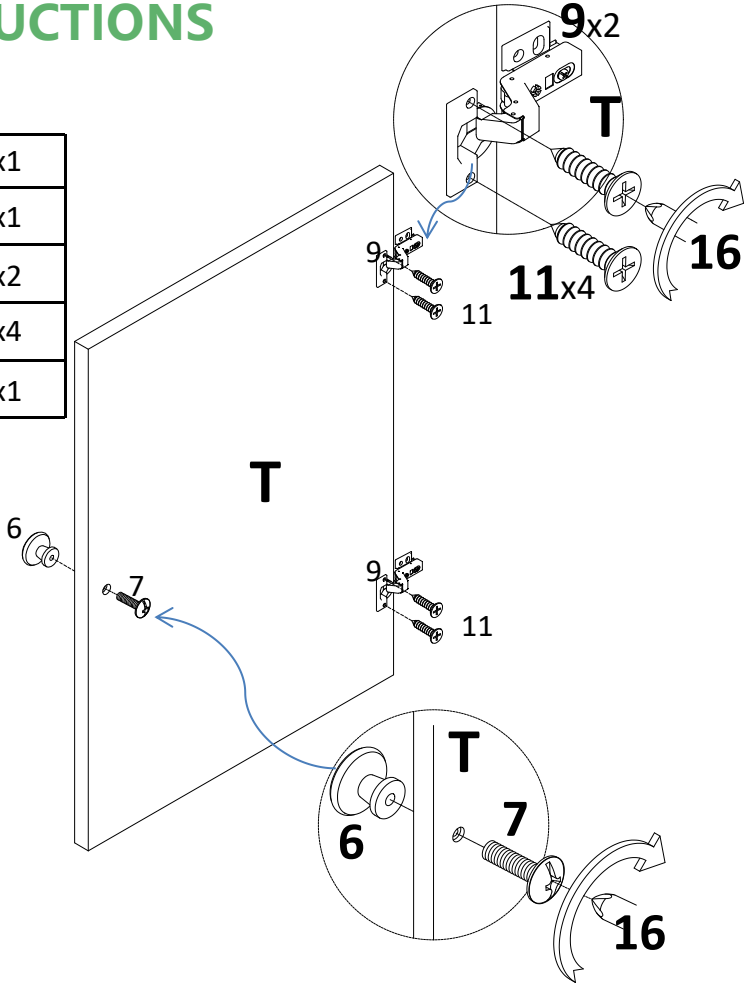


3. Tighten it

ASSEMBLY INSTRUCTIONS

Step 17




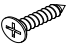
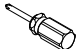
6		x1
7		x1
9		x2
11		x4
16		x1

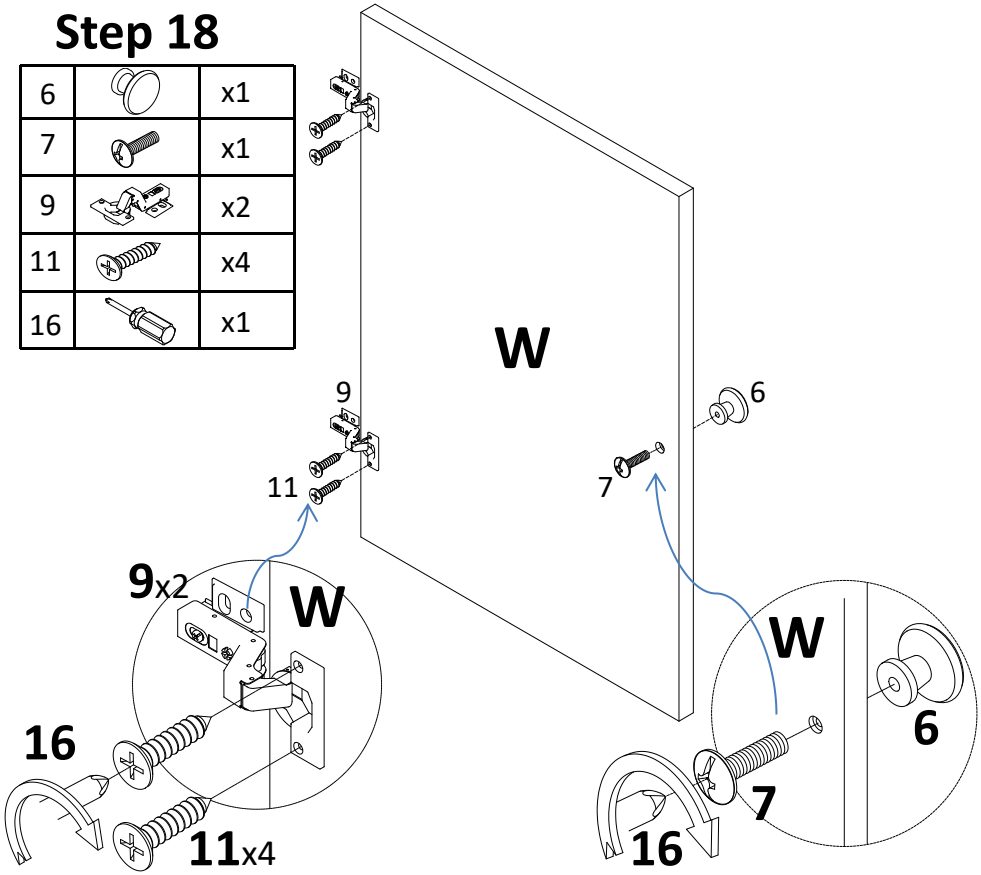


Attach hinge(9) to left door(T) with screw (11). Tight screw with screwdriver(16), attach knob(6) to left door(T) with bolt (7), tight bolt with screwdriver(16)

ASSEMBLY INSTRUCTIONS

Step 18




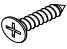
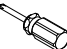
6		x1
7		x1
9		x2
11		x4
16		x1

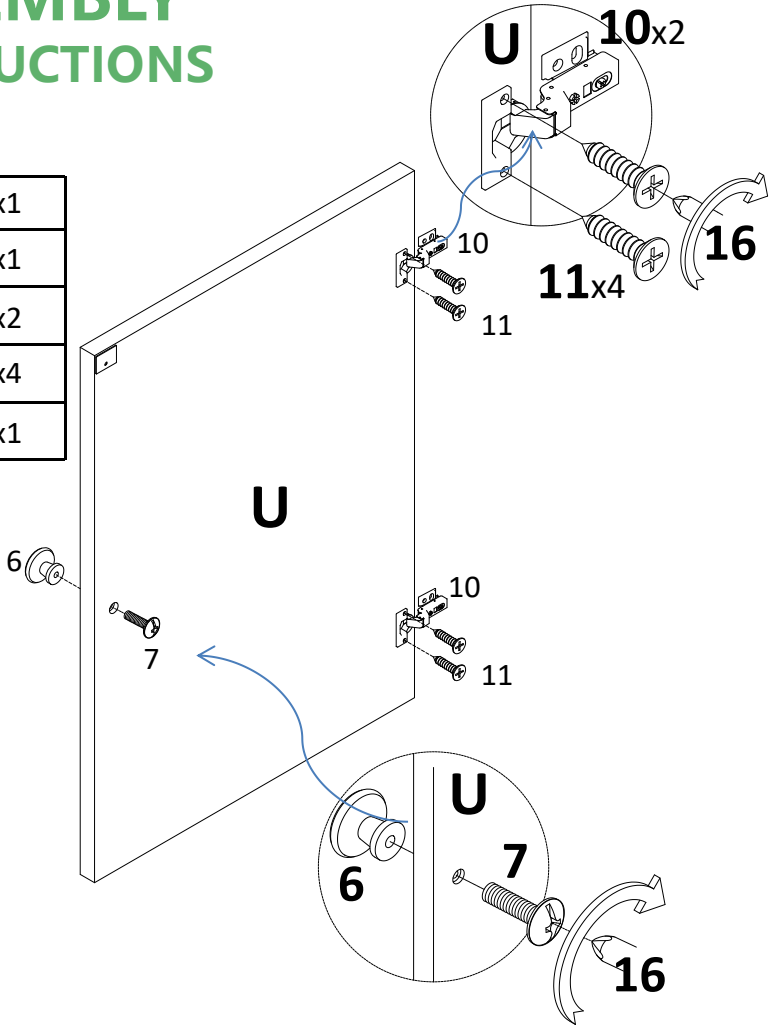


Attach hinge(9) to right door(W) with screw (11). Tight screw with screwdriver(16), attach knob(6) to right door(W) with bolt (7), tight bolt with screwdriver(16)

ASSEMBLY INSTRUCTIONS

Step 19




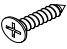
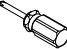
6		x1
7		x1
10		x2
11		x4
16		x1

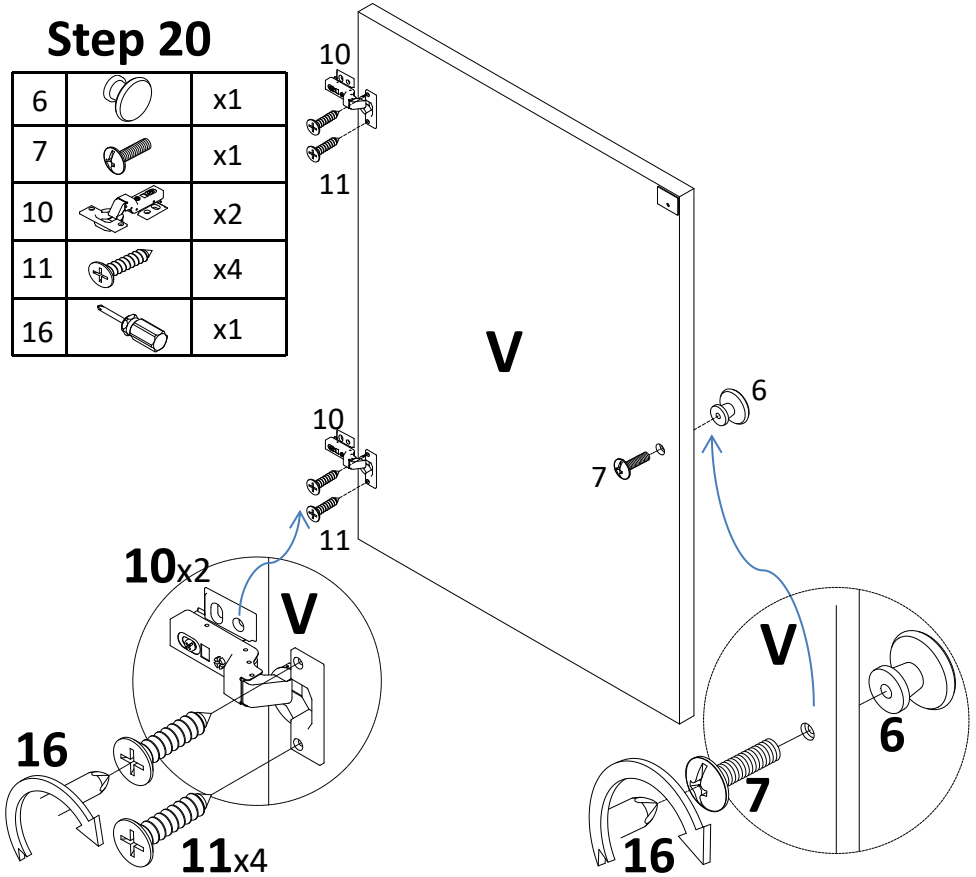


Attach hinge(10) to middle left door(U) with screw (11). Tight screw with screwdriver(16), attach knob(6) to middle left door(U) with bolt (7), tight bolt with screwdriver(16)

ASSEMBLY INSTRUCTIONS

Step 20


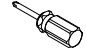
6		x1
7		x1
10		x2
11		x4
16		x1

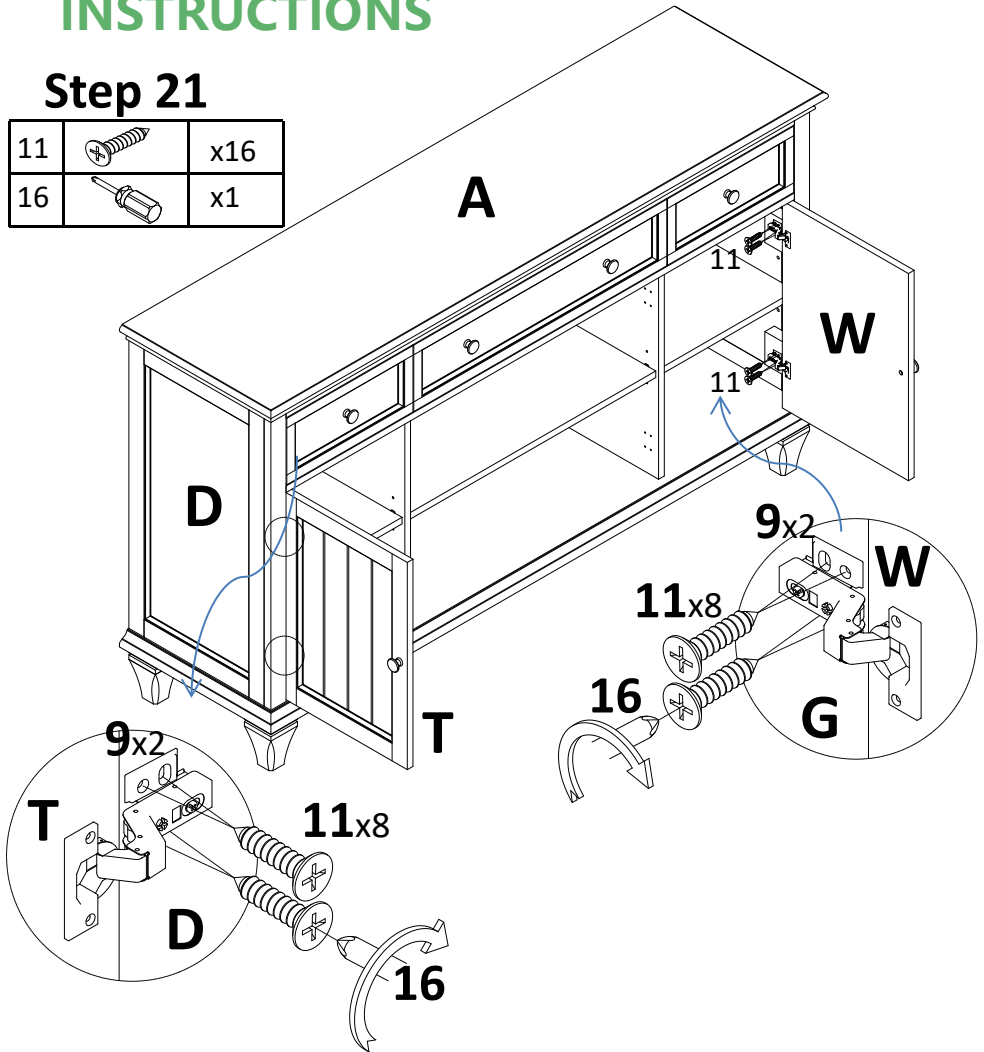


Attach hinge(10) to middle right door(V) with screw (11). Tight screw with screwdriver(16), attach knob(6) to middle right door(V) with bolt (7), tight bolt with screwdriver(16)

ASSEMBLY INSTRUCTIONS

Step 21

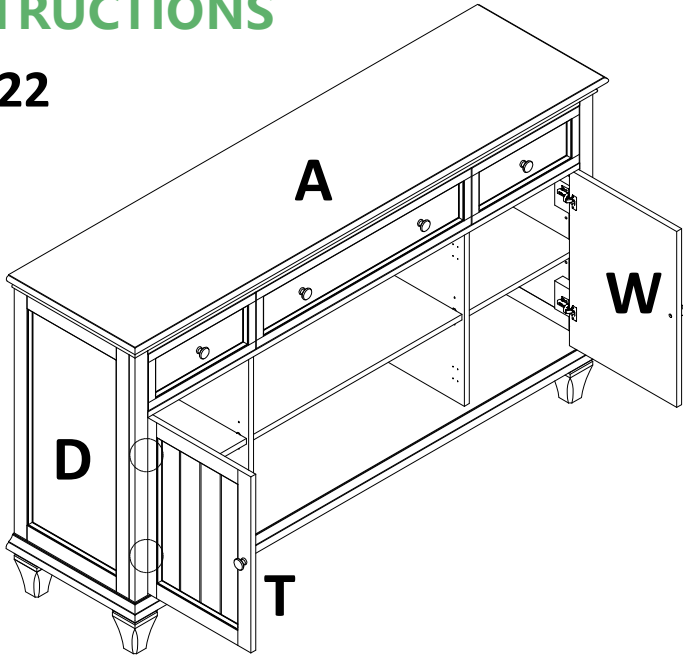
11		x16
16		x1



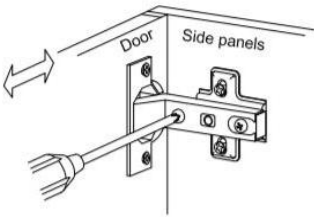
Attach left door(T) and right door(W) to preassemble unit at step 15 with screw(11) , tight screw with screwdriver(16).

ASSEMBLY INSTRUCTIONS

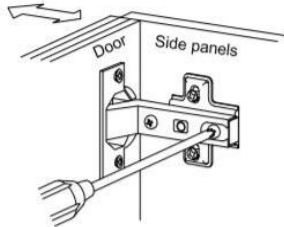
Step 22



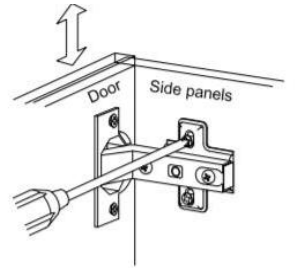
IX. Concealed hinges are three-way adjustable.



Horizontal
by screw adjustment



In-and-Out
by loosening the hinge-arm
mounting screw or via cam
adjustment





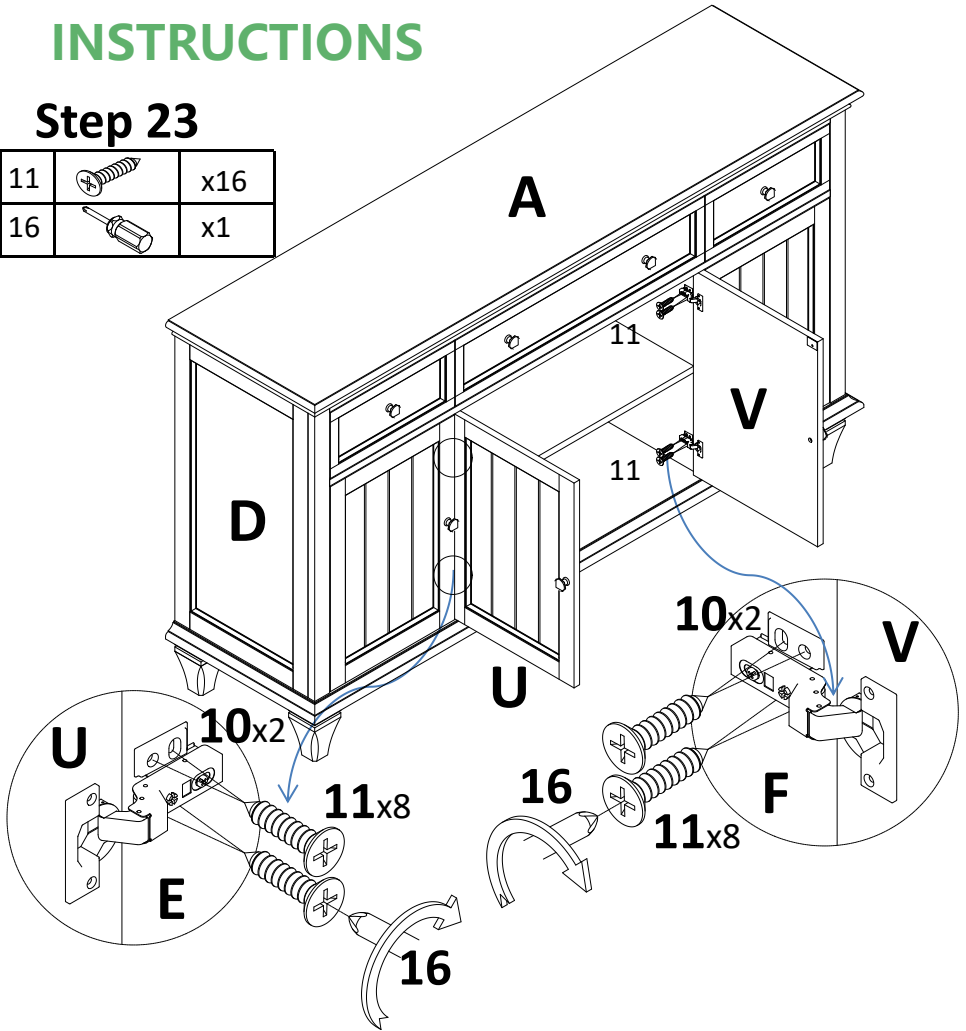
Vertical
Via slots in the mounting
plate or via cam adjustment

Close the door , if the doors are not at the desired position , please adjust it as shown.

ASSEMBLY INSTRUCTIONS

Step 23

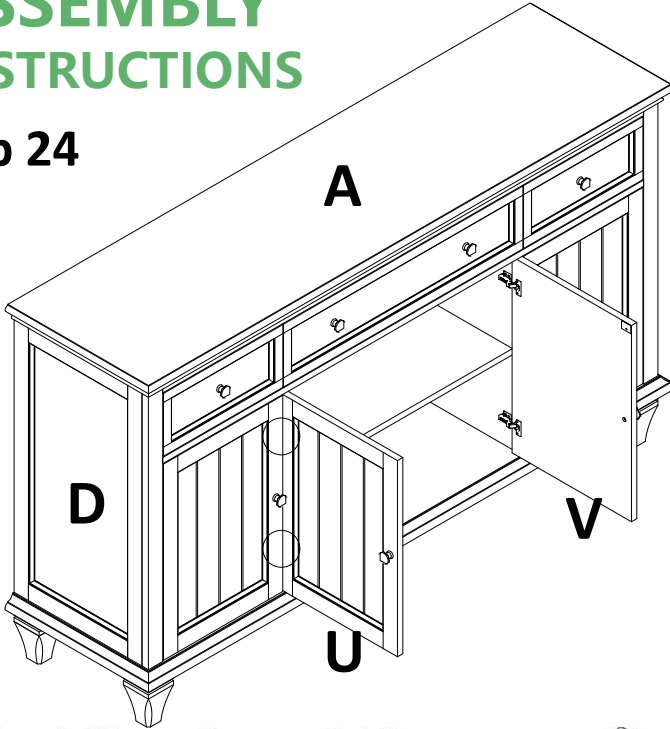
11		x16
16		x1



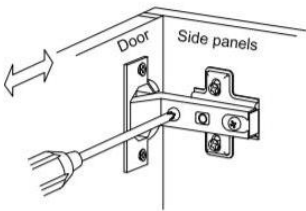
Attach middle left door(U) and middle right door(V) to preassemble unit at step 21 with screw(11) , tight screw with screwdriver(16).

ASSEMBLY INSTRUCTIONS

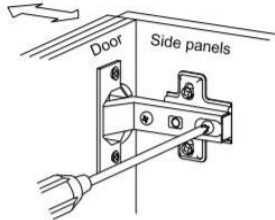
Step 24



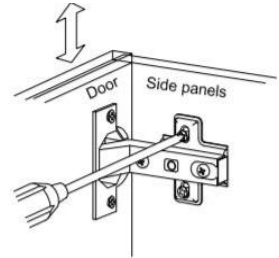
IX. Concealed hinges are three-way adjustable.



Horizontal
by screw adjustment



In-and-Out
by loosening the hinge-arm
mounting screw or via cam
adjustment


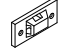
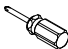


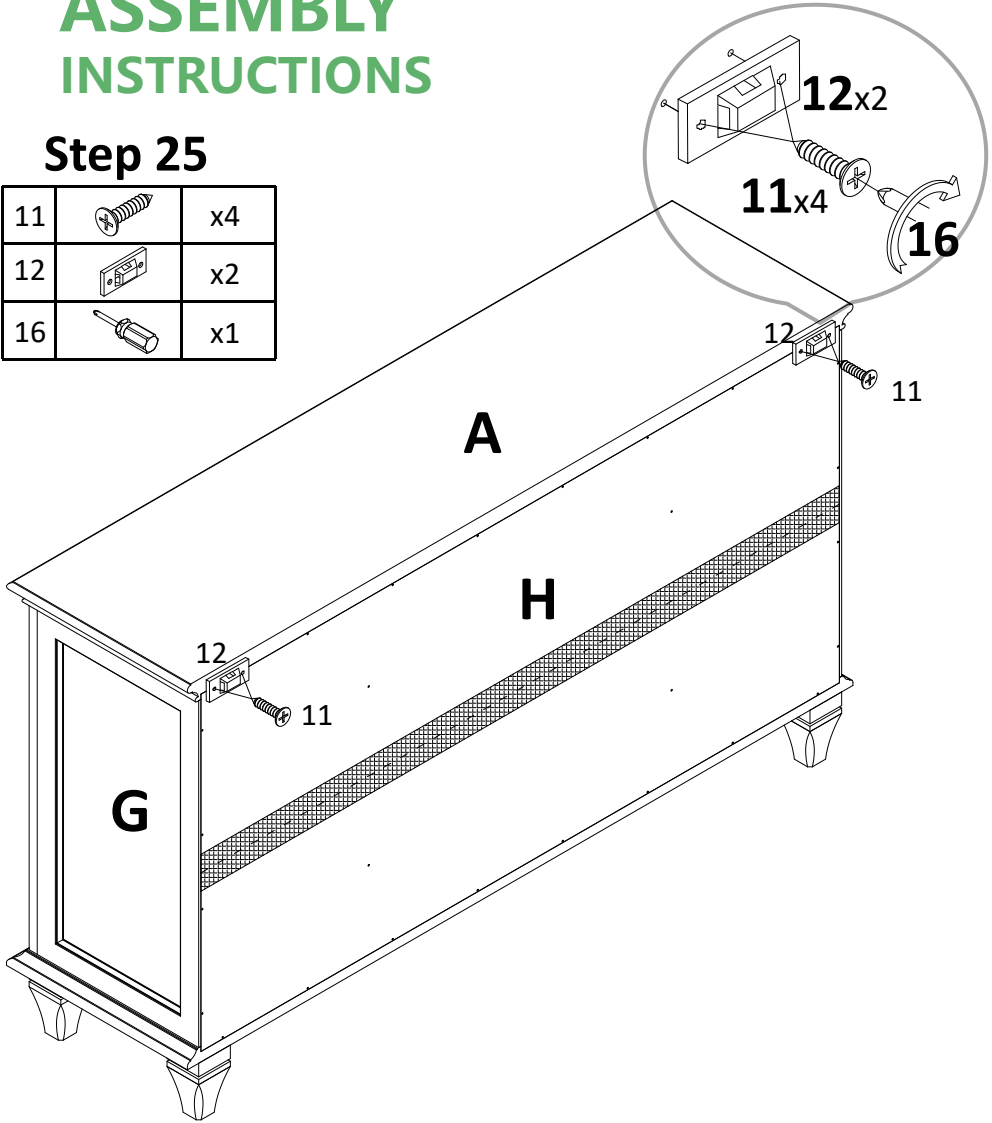
Vertical
Via slots in the mounting
plate or via cam adjustment

Close the door , if the doors are not at the desired position , please adjust it as shown.

ASSEMBLY INSTRUCTIONS

Step 25





11		x4
12		x2
16		x1

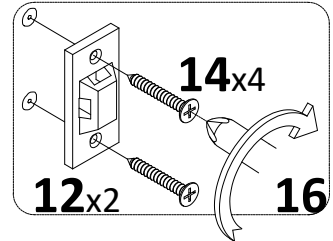
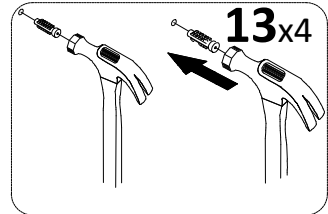
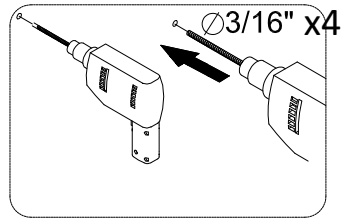
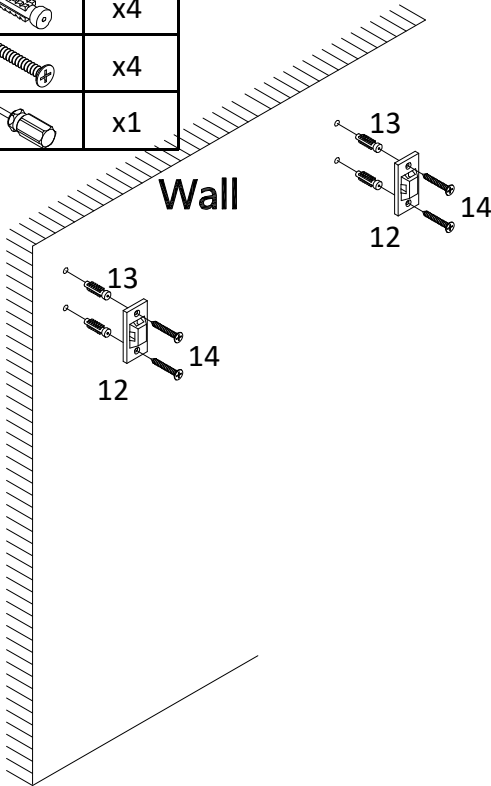


Attach bracket(12) to preassemble unit at step 24 with screw(11), and tight screw with screwdriver(16).

ASSEMBLY INSTRUCTIONS

Step 26

12		x2
13		x4
14		x4
16		x1

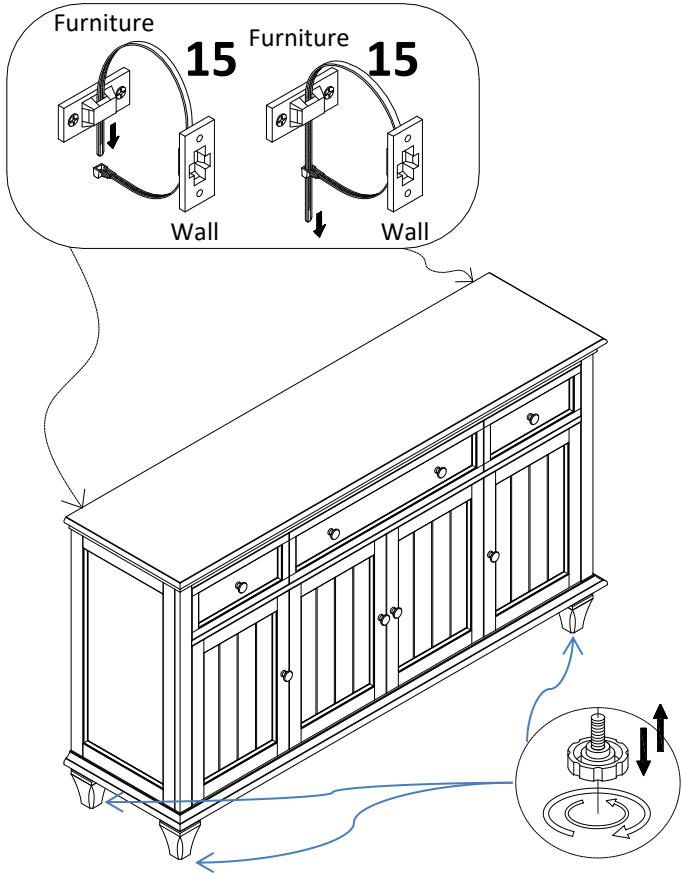


Drill hole on the wall , and insert expansion nut(13) , then attach bracket(12) to it with screw(14), tight screw with screwdriver(16).

ASSEMBLY INSTRUCTIONS

Step 27

15		x2
----	---	----



Attach the unit to the wall with plastic belt (15)

Anti-tipping hardware must be used for this product to avoid tipping and injury.

If the unit is not stable , please adjust the adjustable level.

WARRANTY

We strive to offer high-quality products, and we also try our best to satisfy each and every customer that orders from us with product or service as needed. We provide 30 days warranty starting from the time you receive the item. Each customer must provide a record of their order such as the order number, or item receipt for any items that are out of the warranty period you may also still receive replacement parts by purchasing them with our company if they are available.

**Are you having difficulty
with assembly? Missing parts?**

**Please send email with your order No to
customerservice@hulalahome.com**

**For return, please check the return policy with
the retailer or market place you bought from.**

**Appreciate your purchasing from us.
Pop up your life by our furniture piece!**