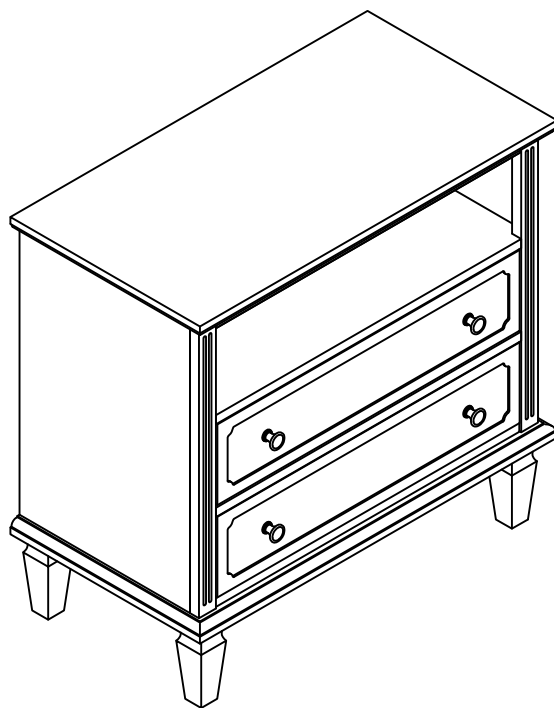
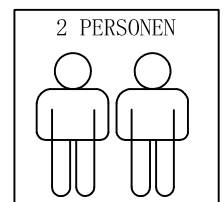


HULALA
H O M E



ITEM NO. NSJY0539



NOTE:

This brochure contains **IMPORTANT** safety info. Please read and keep for future reference.

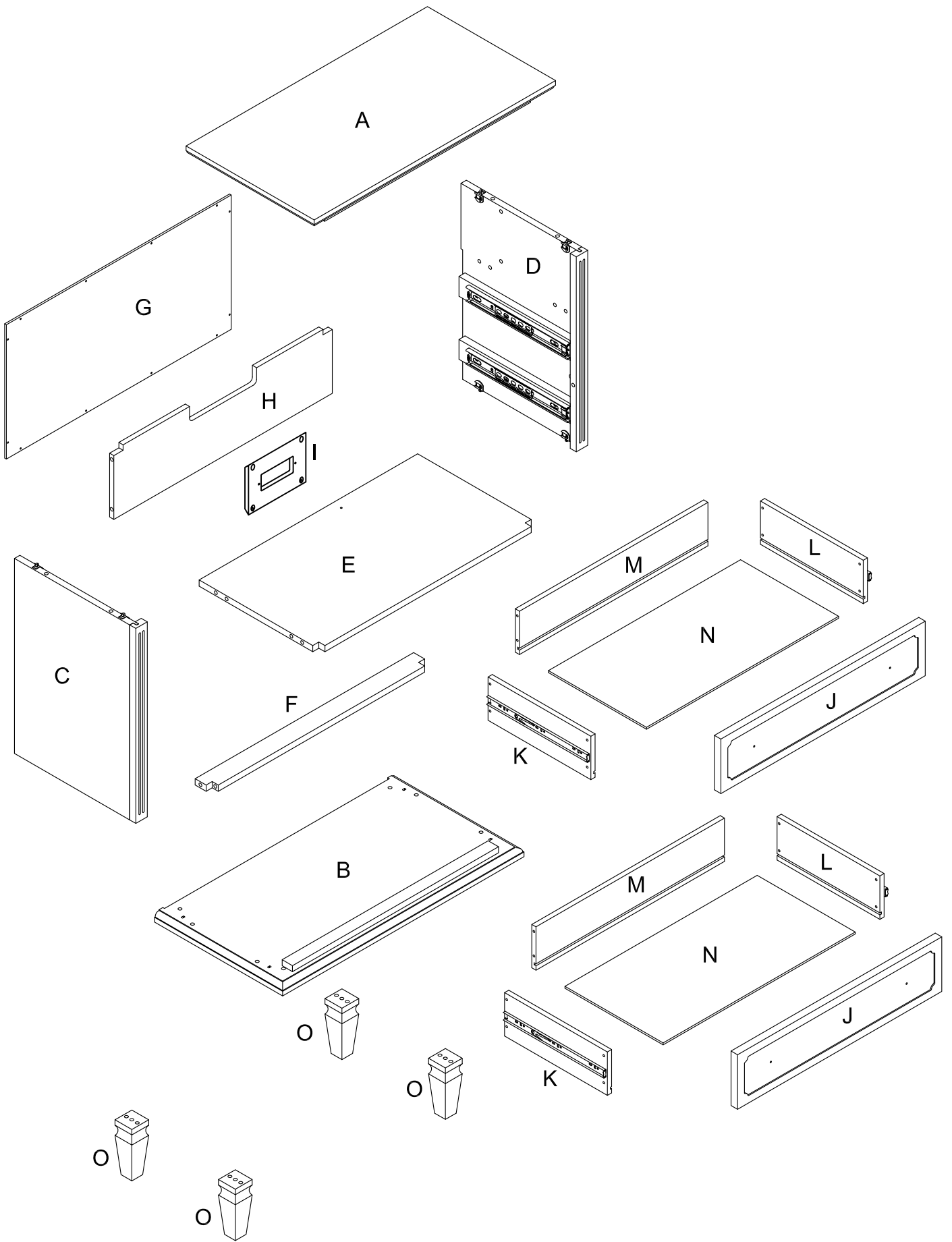
MAINTAINANCE AND WARNING

- Keep furniture away from heat.
- Do not clean furniture with harsh cleansers or polish. Do not use detergents, Solvents, abrasives, spray packs or leather cleaner. Use non-color mild soap with warm water clean spills(Mix 1:10 soap to water)
- Do not place furniture under direct sunlight, material will possibly fade over time.
- Do not use on site dry Cleaning machine.
- Children should not climb or jump on the furniture.
- Do not write on furniture without a padded barrier to protect the surface.
- Not for commercial use, For residential use only.



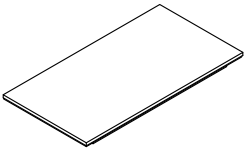
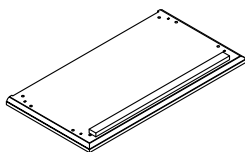
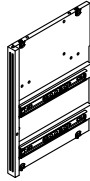
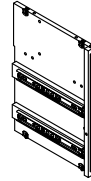
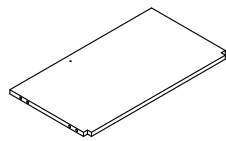
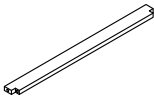
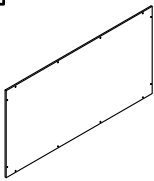
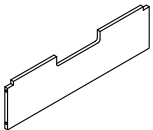
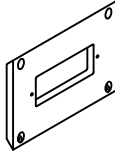
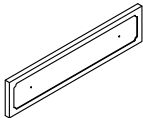
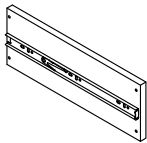
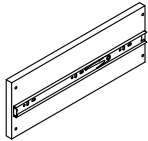
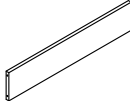
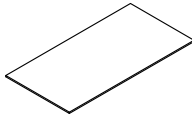

Weight Limitation

100LBS

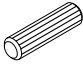
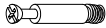

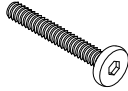


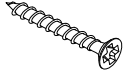

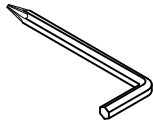

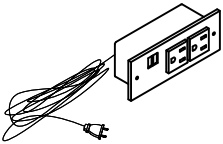



Explosive View

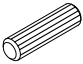
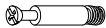

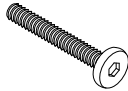




PARTS LIST

<p>A</p> 	<p>B</p> 	<p>C</p> 	<p>D</p> 	<p>E</p> 
<p>Top Panel 1 PC</p>	<p>Bottom Panel 1 PC</p>	<p>Left Side Panel 1 PC</p>	<p>Right Side Panel 1 PC</p>	<p>Fixed Shelf 1 PC</p>
<p>F</p> 	<p>G</p> 	<p>H</p> 	<p>I</p> 	<p>J</p> 
<p>Cross Rail 1 PC</p>	<p>Back Panel 1 PC</p>	<p>Cross Rail 1 PC</p>	<p>Power Panel 1 PC</p>	<p>Drawer Front Panel 2 PCS</p>
<p>K</p> 	<p>L</p> 	<p>M</p> 	<p>N</p> 	<p>O</p> 
<p>Drawer Left Panel 2 PCS</p>	<p>Drawer Right Panel 2 PCS</p>	<p>Drawer Back Panel 2 PCS</p>	<p>Drawer Bottom Panel 2 PCS</p>	<p>Leg 4 PCS</p>

HARDWARE LIST

<p>#1</p>  <p>Ø8*30mm</p>	<p>#2</p> 	<p>#3</p> 	<p>#4</p>  <p>1-3/4"*Ø1/4"*D11mm</p>	<p>#5</p>  <p>Ø5/32"*22mm</p>
<p>Wood Dowel 26 PCS</p>	<p>Cam Bolt 6 PCS</p>	<p>Cam Lock 6 PCS</p>	<p>Bolt 4 PCS</p>	<p>Round Head Bolt 4 PCS</p>
<p>#6</p> 	<p>#7</p>  <p>Ø8*25mm</p>	<p>#8</p>  <p>Ø3*15mm*D6mm</p>	<p>#9</p> 	<p>#10</p>  <p>Ø6*15mm</p>
<p>Knob 4 PCS</p>	<p>Flat Head Screw 20 PCS</p>	<p>Small Round Head Screw 12 PCS</p>	<p>Allen Wrench 1 PC</p>	<p>Flat Head Screw 2 PCS</p>
<p>#11</p> 	<p>#12</p> 			
<p>Power 1 PC</p>	<p>Safety Strap Kit 1 SET</p>			

SPARE

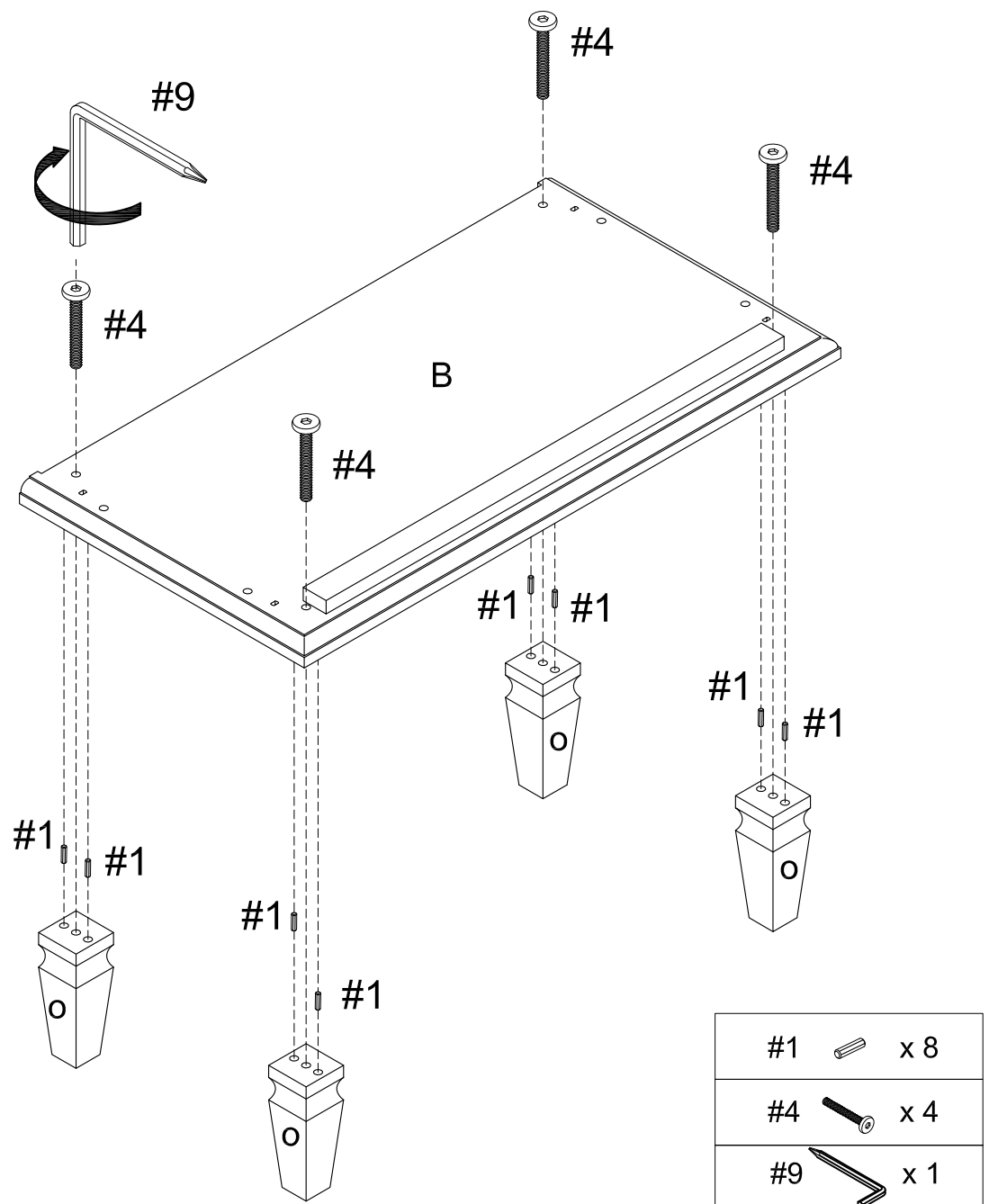
<p>#1</p>  <p>Ø8*30mm</p>	<p>#2</p> 	<p>#3</p> 	<p>#4</p>  <p>1-3/4"*Ø1/4"*D11mm</p>	<p>#5</p>  <p>Ø5/32"*22mm</p>
<p>Wood Dowel 1 PC</p>	<p>Cam Bolt 1 PC</p>	<p>Cam Lock 1 PC</p>	<p>Bolt 1 PC</p>	<p>Round Head Bolt 1 PC</p>
<p>#7</p>  <p>Ø8*25mm</p>	<p>#8</p>  <p>Ø3*15mm*D6mm</p>	<p>#10</p>  <p>Ø6*15mm</p>		
<p>Flat Head Screw 1 PC</p>	<p>Small Round Head Screw 1 PC</p>	<p>Flat Head Screw 1 PC</p>		

Be sure to check all packing material carefully for small parts, which may have come loose inside the carton during shipment.

ASSEMBLY INSTRUCTIONS

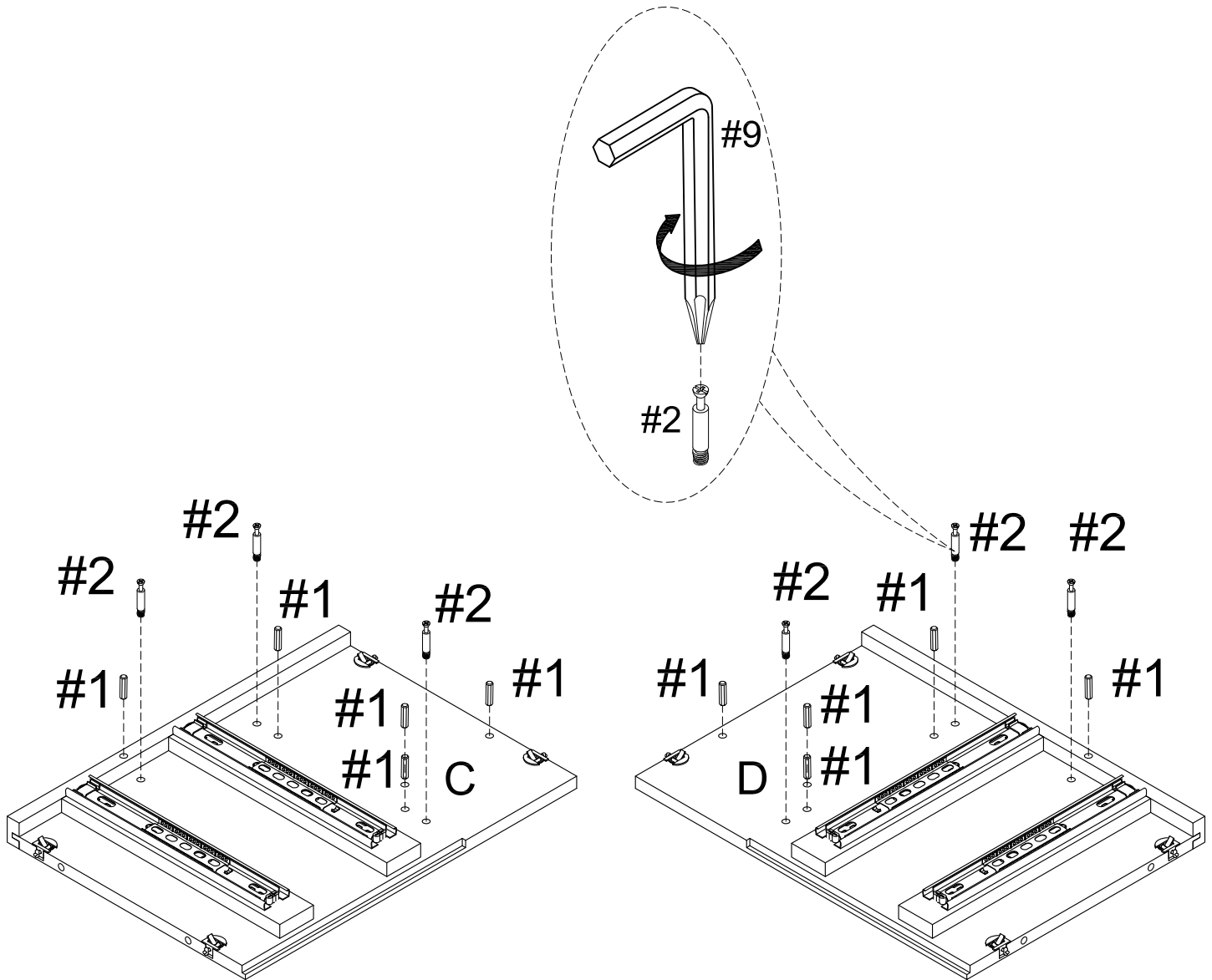
STEP 1:




1. Insert wooden dowel #1 into leg O
2. Then use allen wrench #9 and bolt #4 to attach bottom panel B to leg O, make sure all holes aligned and tighten all bolts to secure.



STEP 2:

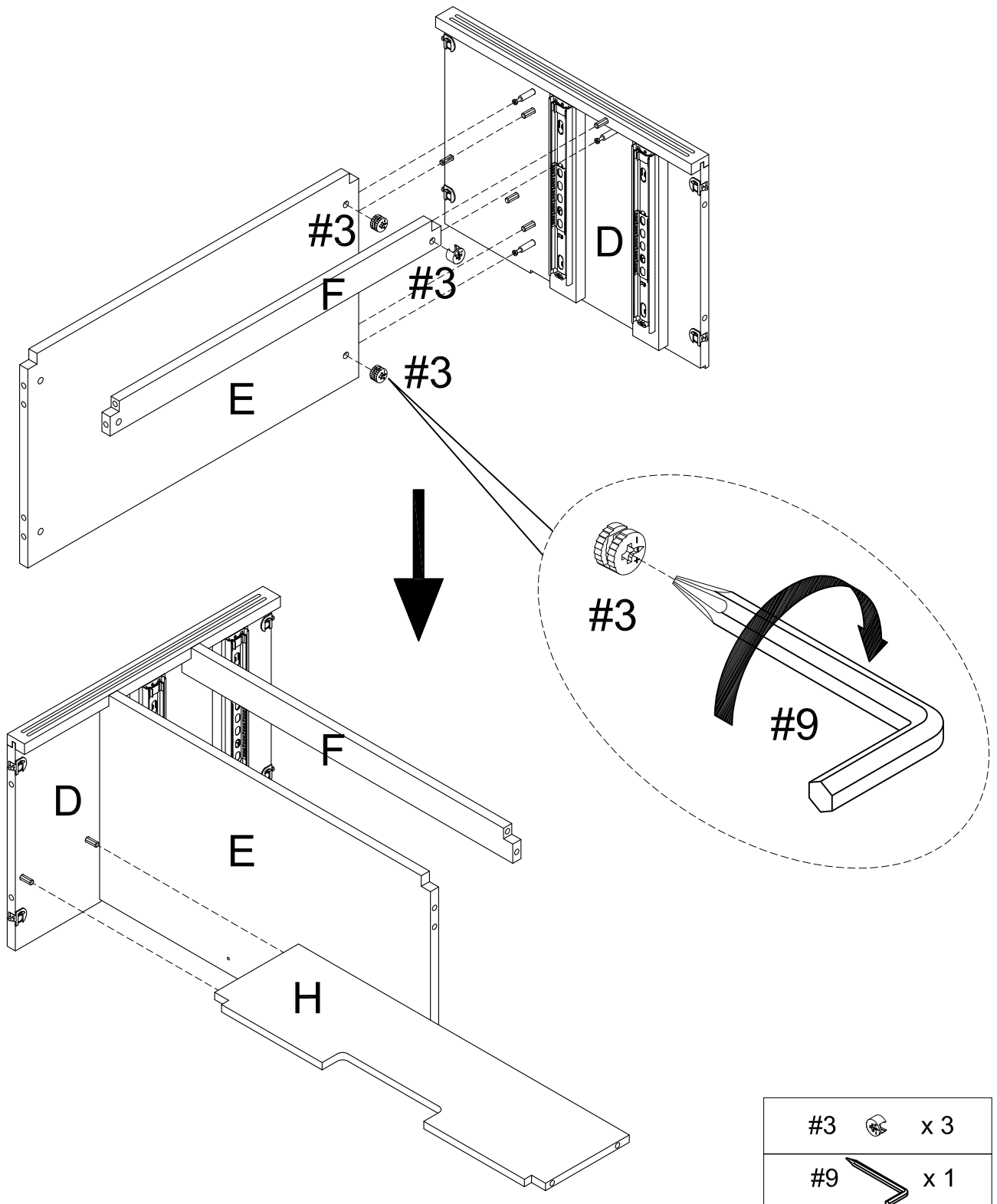
1. Insert wooden dowel #1 & cam bolt #2 into the corresponding hole position of side panel C&D.



#1		x 10
#2		x 6
#9		x 1

STEP 3:

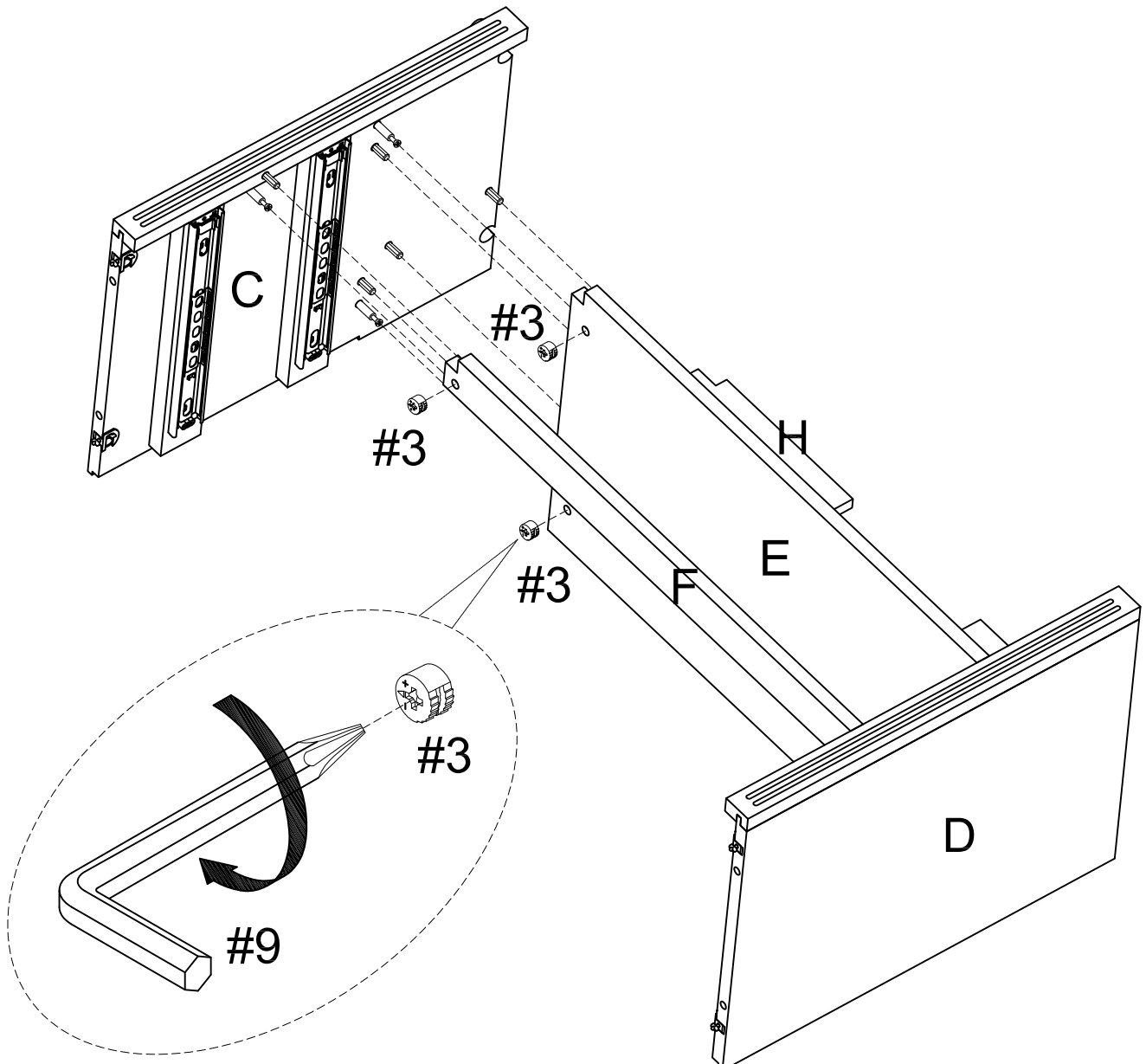
1. Insert fixed shelf E and cross rail F into right side panel D as picture show .
2. Use cam lock #3 to attach fixed shelf E & cross rail F to right side panel D, then tighten it with allen wrench #9.
3. Insert cross rail H into right side panel D as picture show.





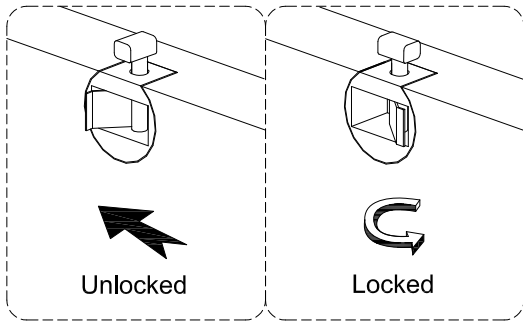
STEP 4:

1. Insert the preassemble unit E&F&D&H into left side panel C as picture show.

2. Use cam lock #3 to attach preassemble unit E&F&D&H to left side panel C as picture show, then tighten it with allen wrench #9.

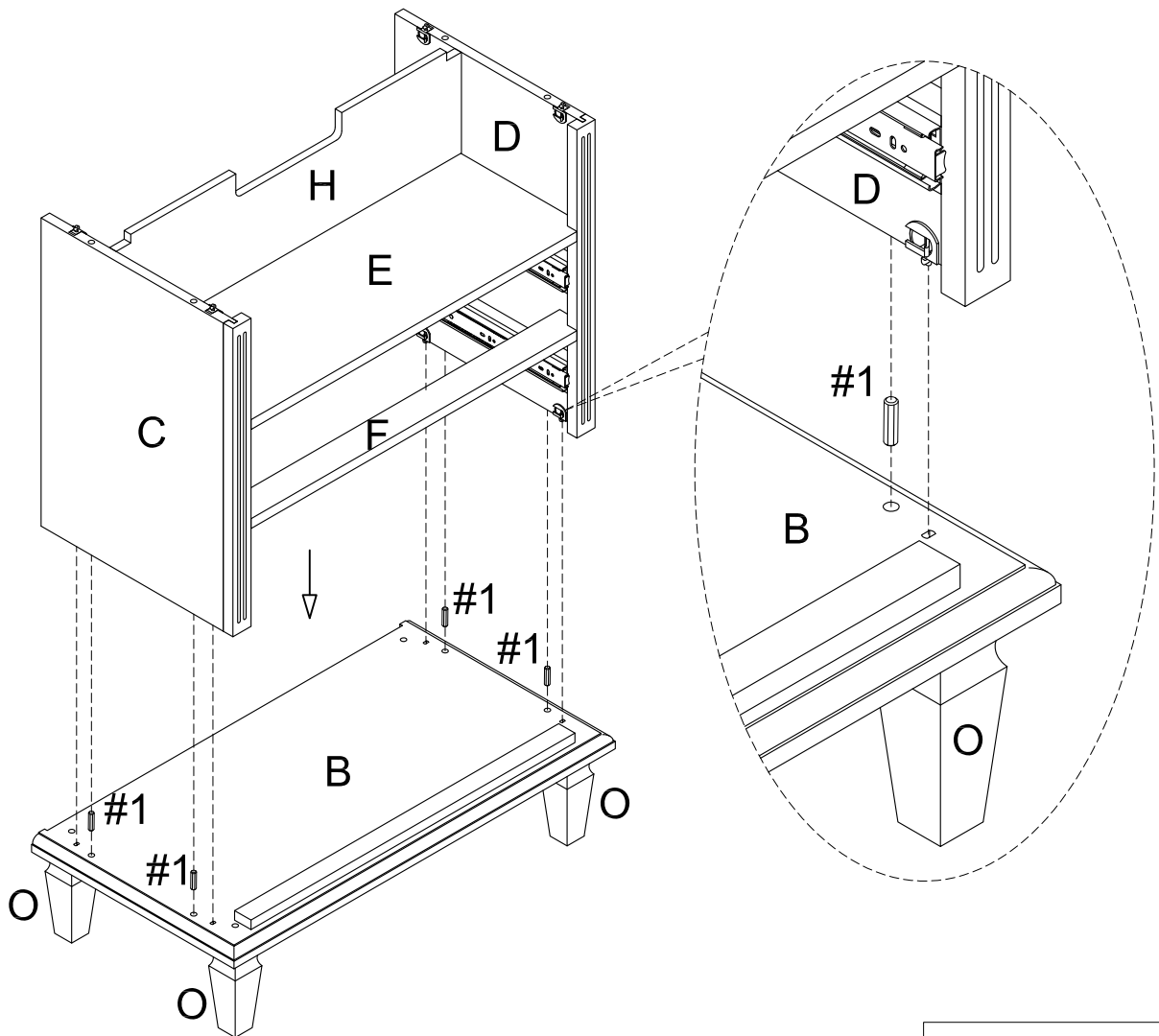


#3		x 3
#9		x 1



STEP 5:

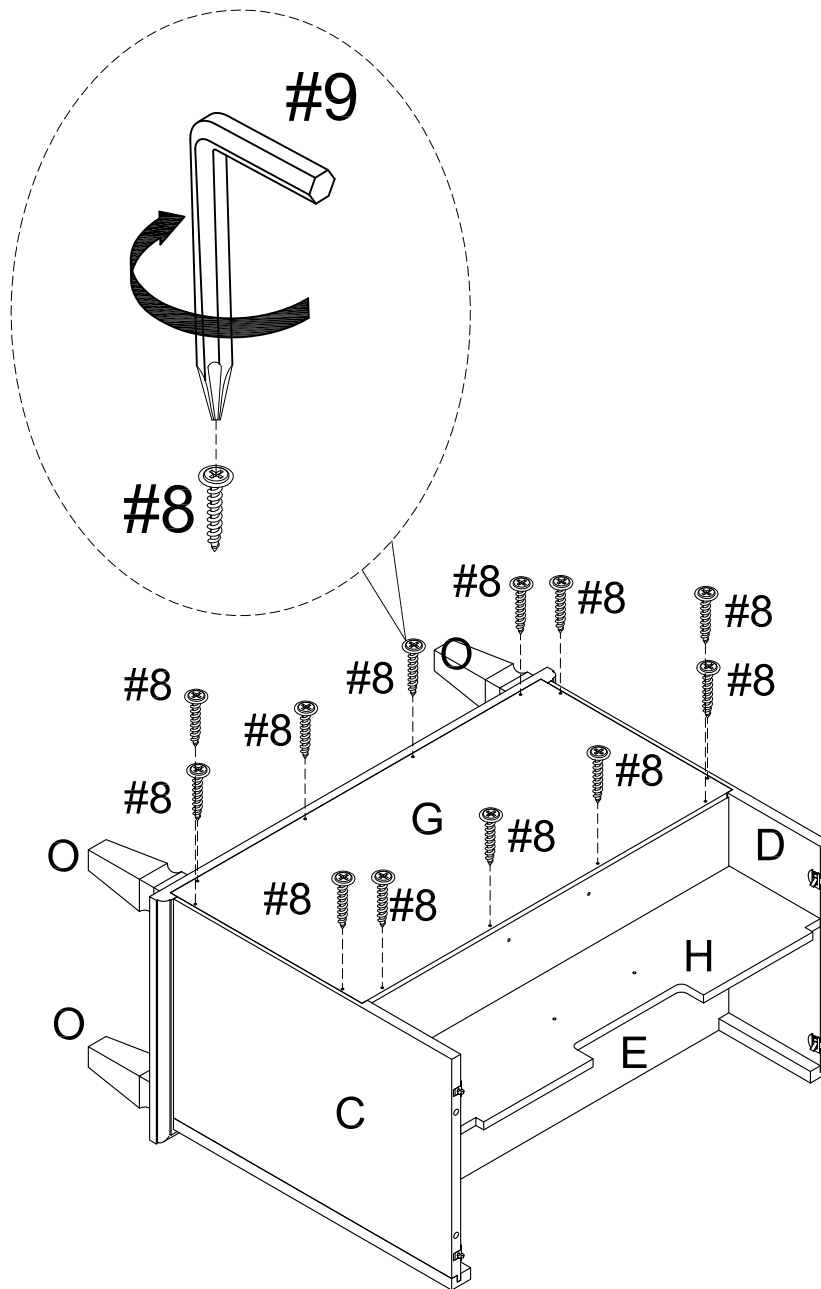
1. Insert wooden dowel #1 into the corresponding hole position of bottom panel B.
2. Insert the preassembly step 4 into bottom panel B as picture show, make sure all holes aligned and pull the combiner by turning counterclockwise with hand to lock it.


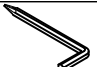


#1  x 4

STEP 6:

1. Put back panel G in the groove of preassembly step 5, then use allen wrench #9 and screws #8 to attach it, make sure all holes aligned and tighten all screws to secure.

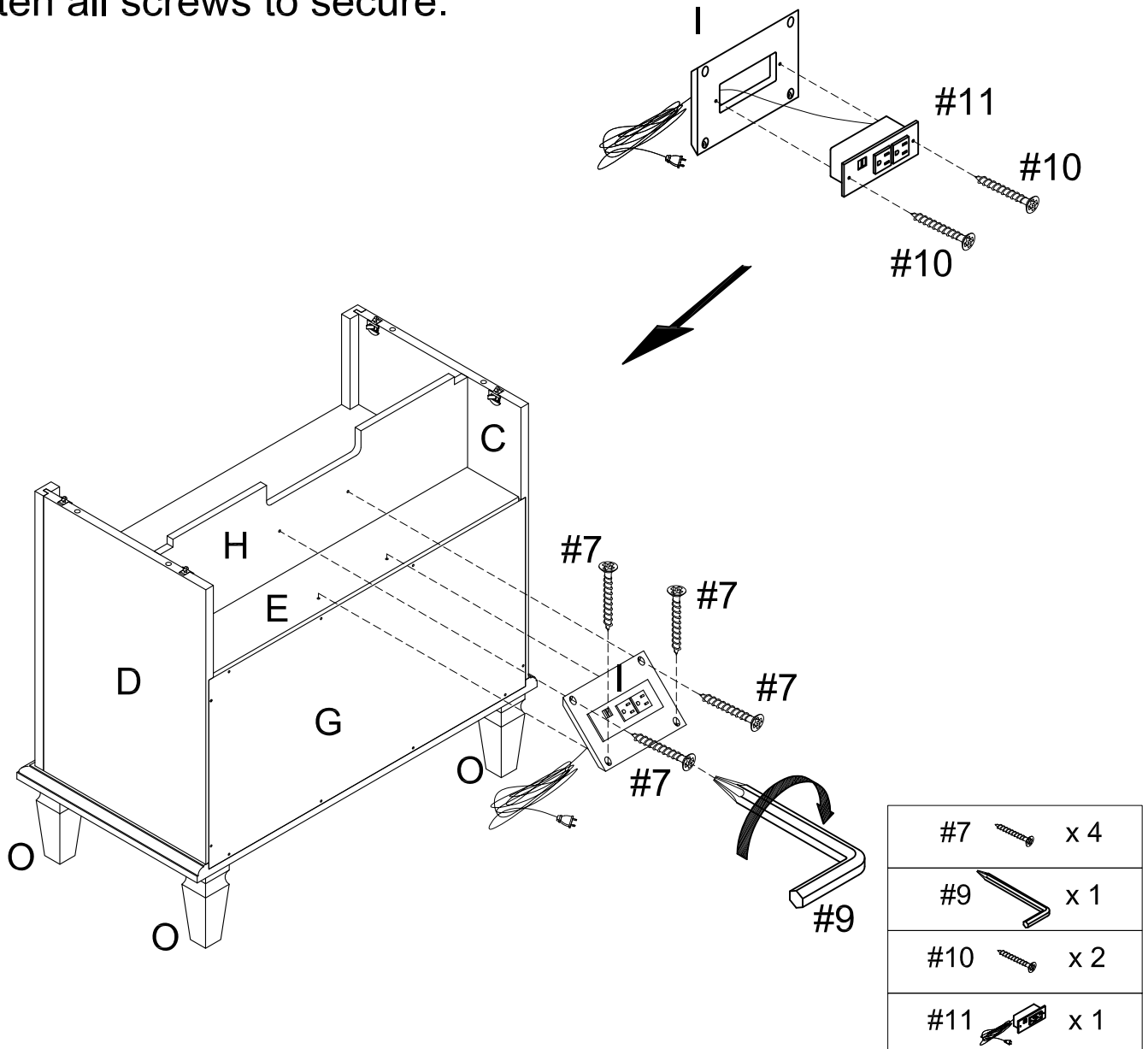


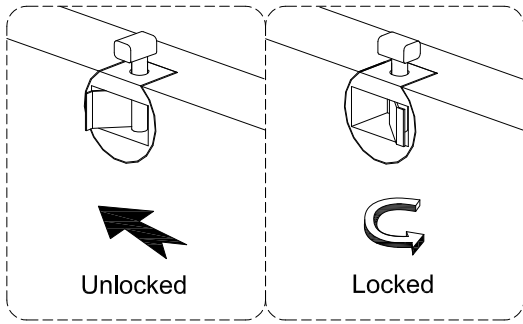
#8		x 12
#9		x 1

STEP 7:

1. Put power #11 in power panel I, use allen wrench #9 and screws #10 to attach power panel I, make sure all holes aligned and tighten all screws to secure.

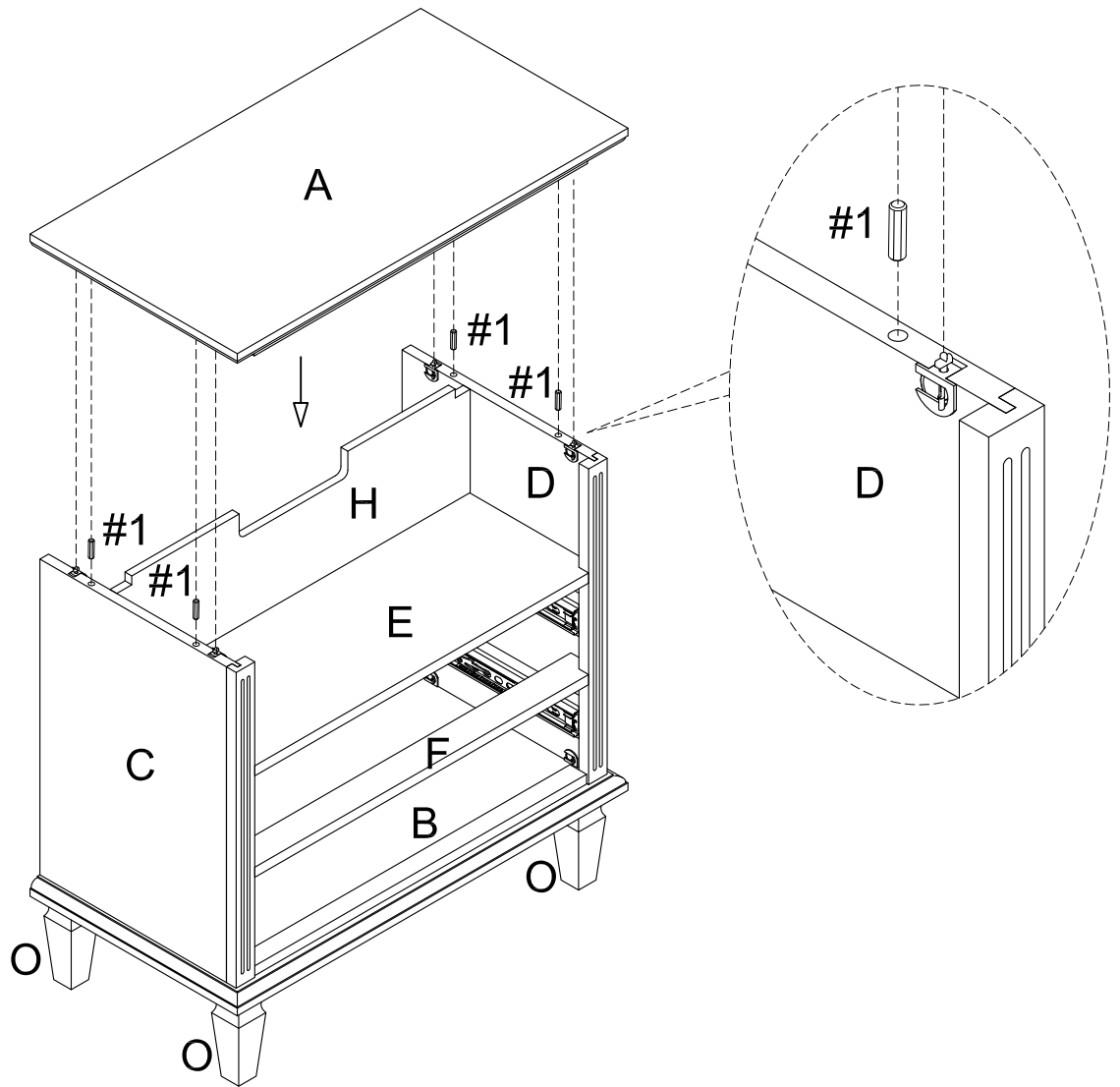
2. Use allen wrench #9 and screws #7 to attach the preassemble power panel I to the preassemble step 6, make sure all holes aligned and tighten all screws to secure.






STEP 8:

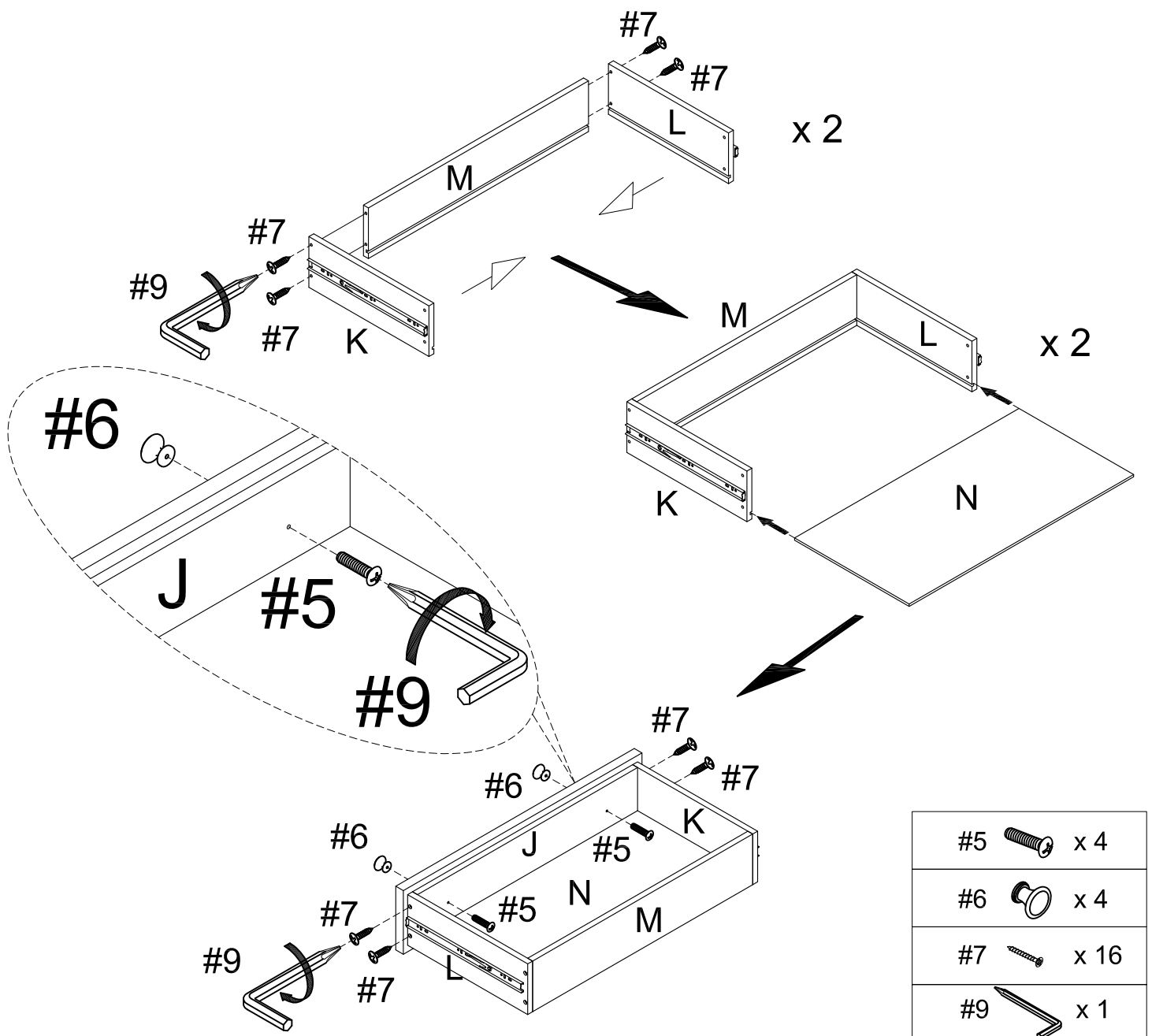
1. Insert wooden dowel #1 into the corresponding hole position of preassemble step 7 as picture show.
2. Insert top panel A into the preassemble step 7, make sure all holes aligned and pull the combiner by turning counterclockwise with hand to lock it.



#1  x 4

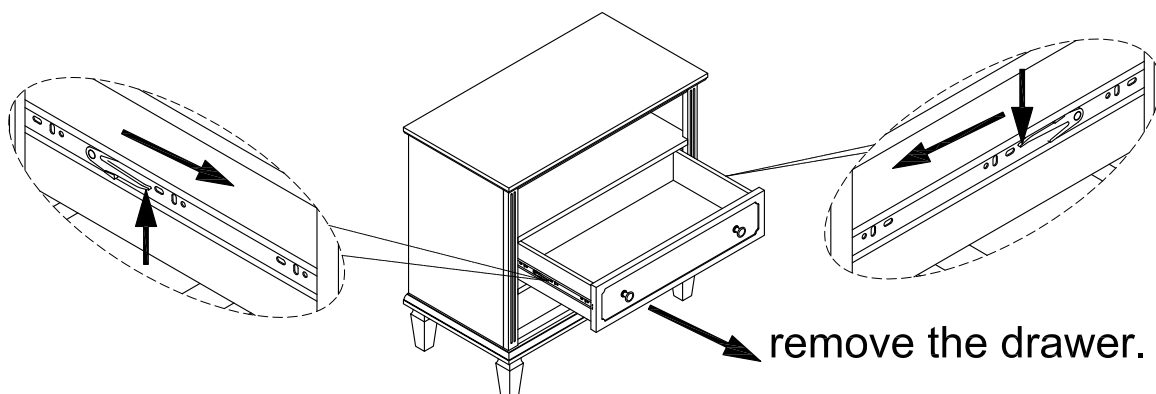
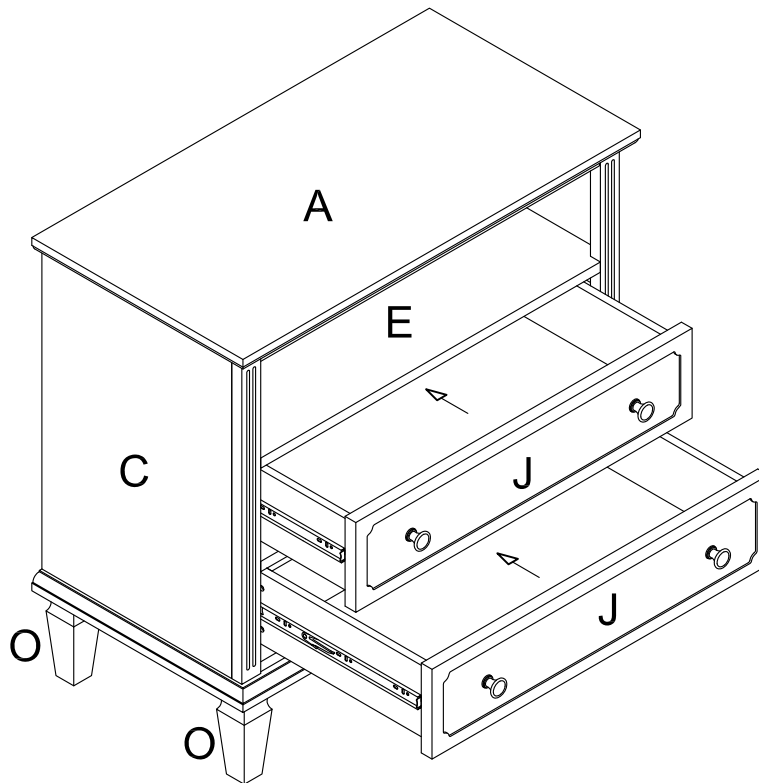
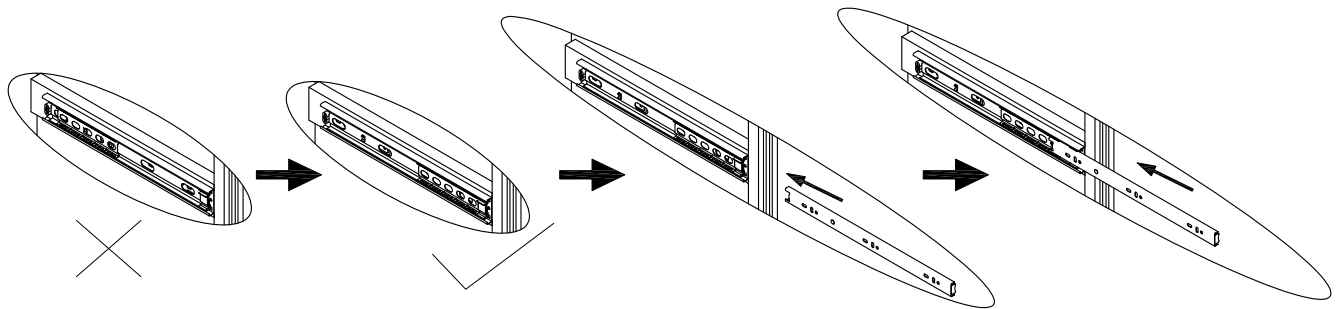
STEP 9:


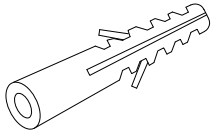

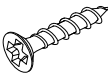
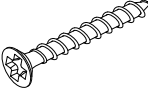
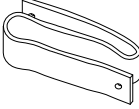
1. Use allen wrench #9 and screws #7 to attach drawer right panel K and drawer left panel L to drawer back panel M, make sure all holes aligned and tighten all screws to secure.
2. Insert drawer bottom panel N into the rear slots of side drawer panels K & L. Ensure that all components are inserted.
3. Use allen wrench #9 and screws #7 to attach drawer front panel J to side drawer panels K&L, make sure all holes aligned and tighten all screws to secure.
4. Use allen wrench #9 and bolt #5 to attach knob #6 to drawer front panel J, make sure all holes aligned and tighten all screws to secure.



STEP 10:

1. Slide the female sliding rail of side panel C&D to the most front and keep it .
2. Insert the drawer male sliding rail into the female sliding rail as picture show.
3. Pull out the drawer completely, while pressing the plastic snap locks in the left and right side slides of the drawer, keep the snap locks depressed and pull the drawer to remove the drawer.



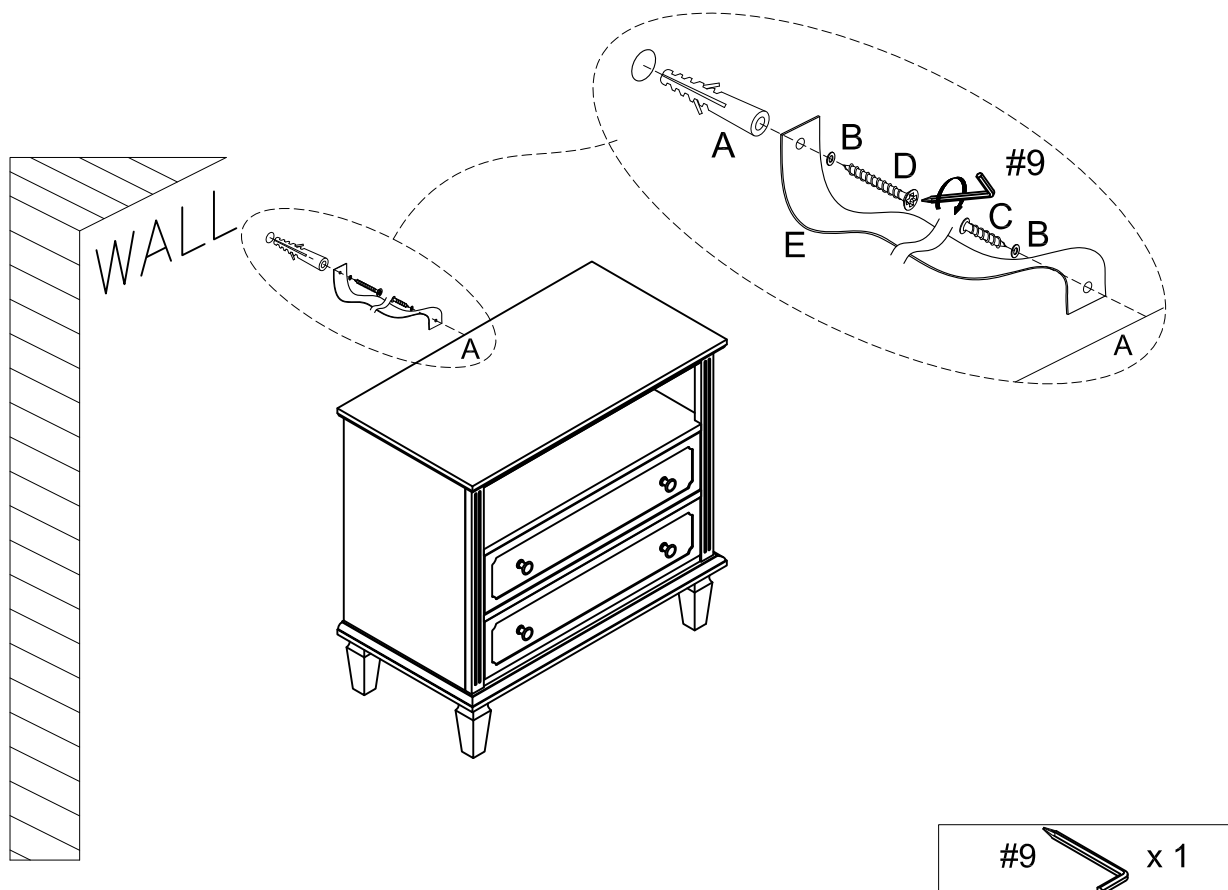
#12	A	B	C	D	E
			 Ø8*3/4"	 Ø8*1-1/2"	
Safety Strap Kit	Anchor	Washer	Short Screw	Long Screw	Safety Wall Strap
1 SET	1 PC	2 PCS	1 PC	1 PC	1 PC

SAFETY WALL STRAP INSTALLATION

Note: It is highly recommended to install this safety strap kit to prevent tipping, damage and/or injury.

1. Insert short screw (C) through washer (B) and safety wall strap (E) and attach to top panel (part A) using phillips head screwdriver.
2. Drill a 1 1/32" hole where you want to secure the unit. The drilled hole will be at the same height as the hole in top panel (part A) where the safety wall strap (E) is attached. Tap wall anchor (A) into the hole.
3. Insert long screw (D) through washer (B) and safety wall strap (E) into wall anchor (A) using phillips head screwdriver.

Note: This item is not intended for clothing storage use.



WARRANTY

We strive to offer high-quality products, and we also try our best to satisfy each and every customer that orders from us with product or service as needed. We provide 30 days warranty starting from the time you receive the item. Each customer must provide a record of their order such as the order number, or item receipt for any items that are out of the warranty period you may also still receive replacement parts by purchasing them with our company if they are available.

**Are you having difficulty
with assembly? Missing parts?
Please send email with your order No**

customerservice@hulalahome.com

**For return, please check the return policy with
the retailer or market place you bought from.**

**Appreciate your purchasing from us.
Pop up your life by our furniture piece!**