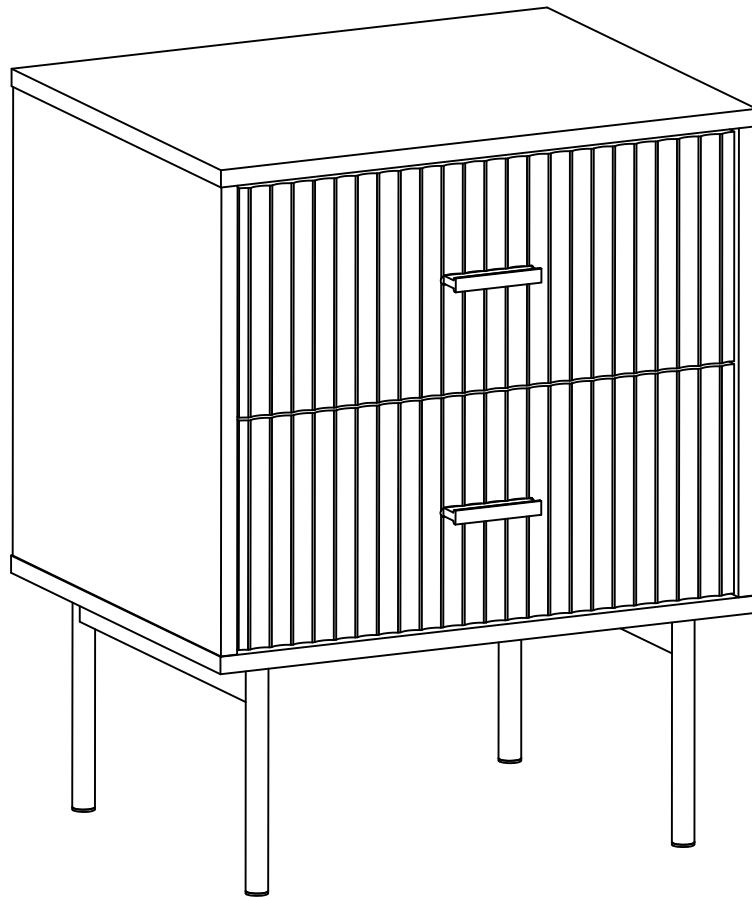


HULALA
H O M E



ITEM NO. NSBSD0390

NOTE:

This brochure contains IMPORTANT safety info. Please read and keep for future reference.

MAINTAINANCE

AND WARNING

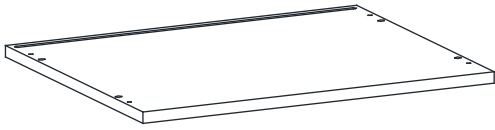
- Keep furniture away from heat.
- Do not clean furniture with harsh cleansers or polish. Do not use detergents, Solvents, abrasives, spray packs or leather cleaner. Use non-color mild soap with warm water clean spills(Mix 1:10 soap to water)
- Do not place furniture under direct sunlight, material will possibly fade over time.
- Do not use on site dry Cleaning machine.
- Children should not climb or jump on the furniture.
- Do not write on furniture without a padded barrier to protect the surface.
- Not for commercial use, For residential use only.



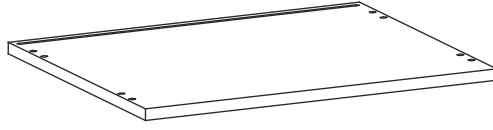
Weight Limitation

80LBS

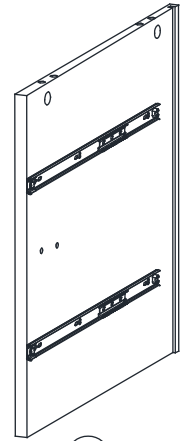
PARTS LIST



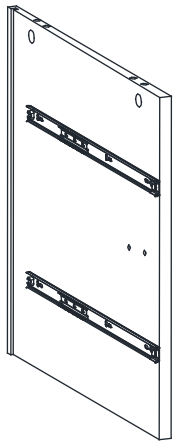
① x1



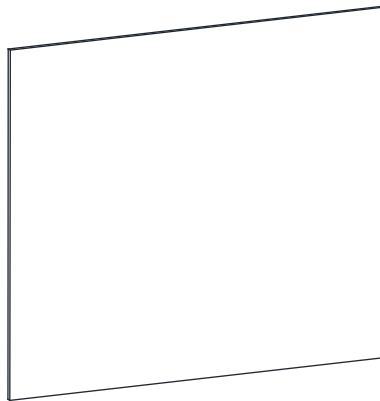
② x1



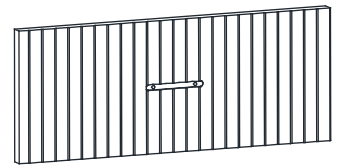
③ x1



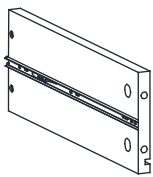
④ x1



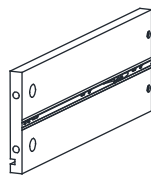
⑤ x1



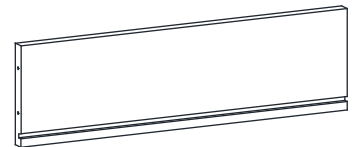
⑥ x2



⑦ x2



⑧ x2



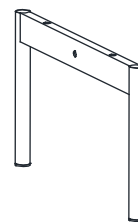
⑨ x2



⑩ x2



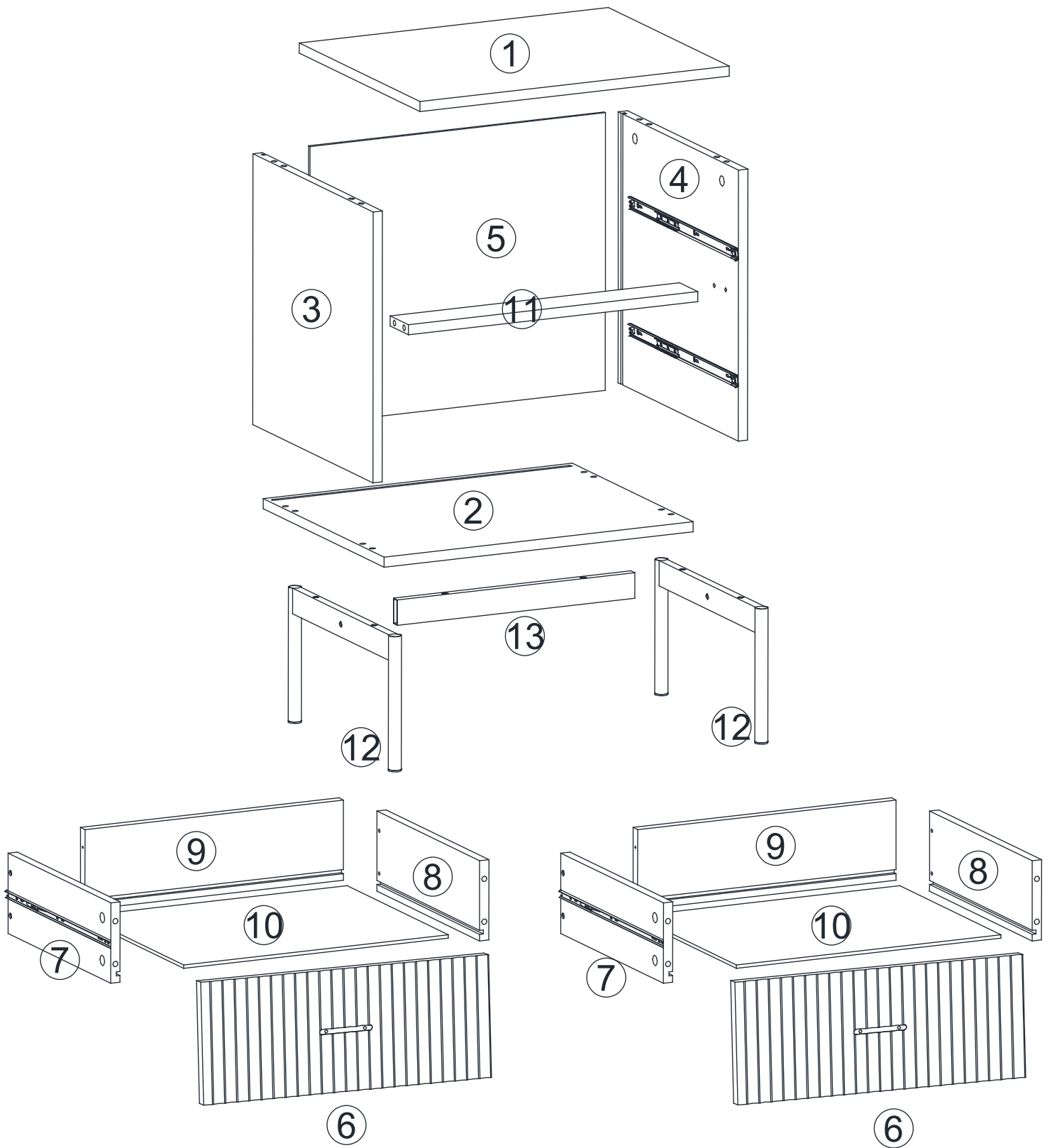
⑪ x1



⑫ x2













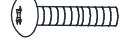
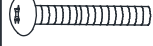




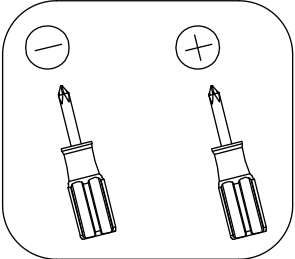

⑬ x1



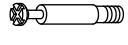

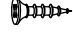
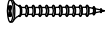
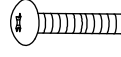
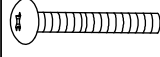

OVERVIEW

HARDWARE

LIST

| | | | | | | | | | | | | | | | |
|---|-----|---|-----|---|----|---|----|---|----|---|-----|---|-----|---|----|
| A | x16 | B | x16 | C | x4 | D | x8 | E | x6 | F | x4 | G | x10 | H | x1 |
|  | |  | |  | |  | |  | |  | |  | |  | |
| M6*35mm | | Ø15mm | | M7*50mm | | Ø8*30mm | | Ø3.5*14mm | | | | Ø4*35mm | | | |
| I | x2 | J | x2 | K | x2 | L | x6 | M | x6 | N | x16 | O | x4 | P | x1 |
|  | |  | |  | |  | |  | |  | |  | |  | |
| | | | | M6*40mm | | M6*50mm | | Ø13 | | | | M4*18mm | | M4 | |
| Q | x2 |  | | | | | | | | | | | | | |
|  | | | | | | | | | | | | | | | |
| | | | | | | | | | | | | | | | |

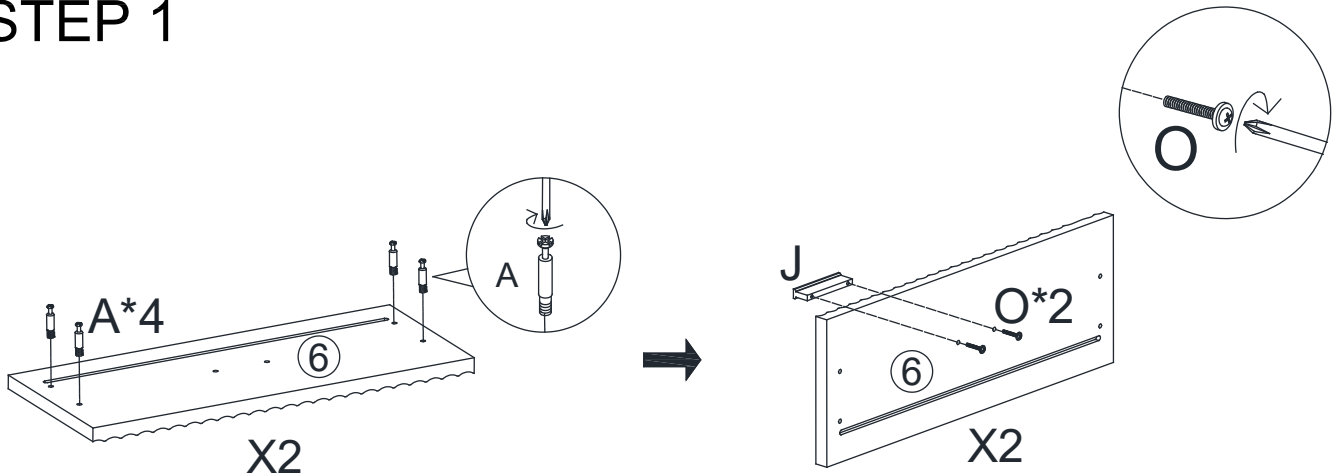
SPARE

| | | | | | | | | | | | | | |
|---|----|---|----|---|----|---|----|---|----|---|----|---|----|
| A | x1 | C | x1 | E | x1 | G | x1 | K | x1 | L | x1 | O | x1 |
|  | |  | |  | |  | |  | |  | |  | |
| M6*35mm | | M7*50mm | | Ø3.5*14mm | | Ø4*35mm | | M6*40mm | | M6*50mm | | M4*18mm | |

Be sure to check all packing material carefully for small parts, which may have come loose inside the carton during shipment.

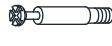


ASSEMBLY INSTRUCTIONS

STEP 1

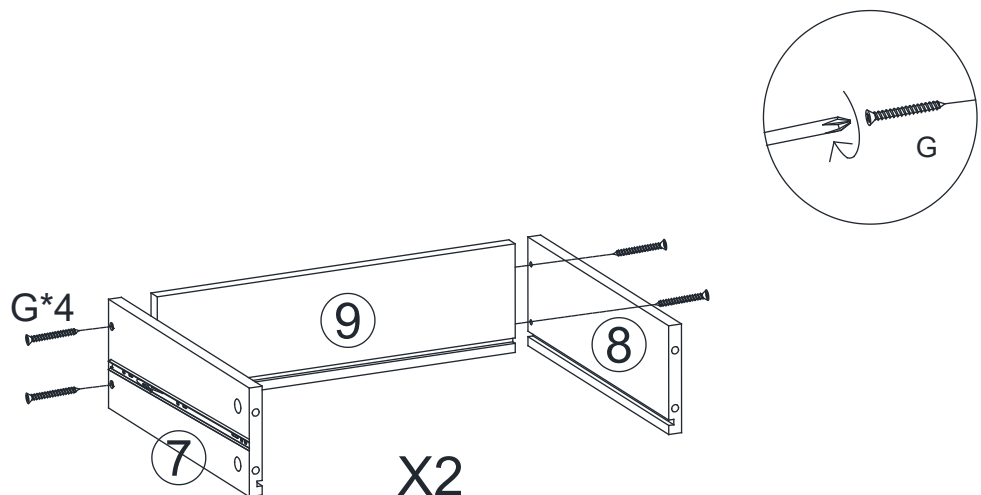


Preparing the part 6.

- 1) Align the hole in part 6;
- 2) Screw in the cam bolt A and tighten by screwdriver.
- 3) Align the hole in part J to the hole in part 6 as the picture show, then screw in the screw O from the part 6 towards part J, tighten by screwdriver.
- 4) Repeat the same way to finish another part 6 with part J.


| | | | | | |
|---|----|---|----|---|----|
| A | x8 | J | x2 | O | x4 |
|  | |  | |  | |
| M6*35mm | | | | M4*18mm | |

STEP 2

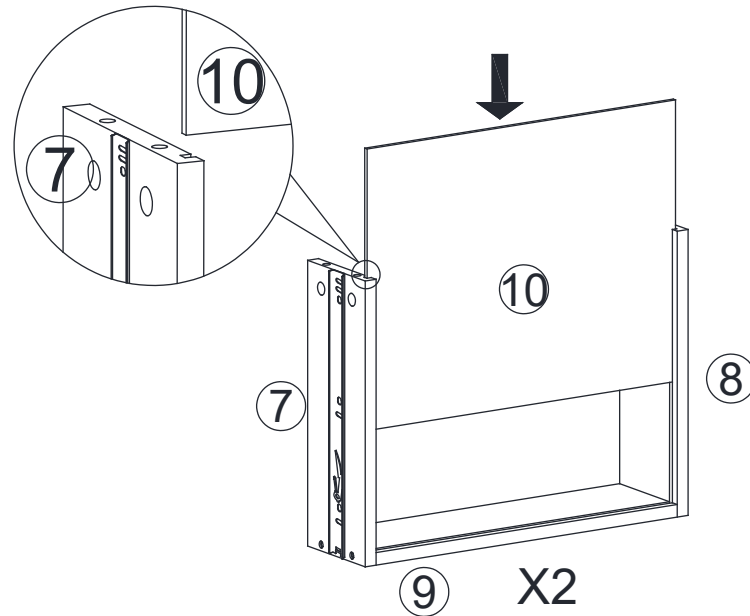


Connect part 7,8 to the part 9.

- 1) Align the hole in part 7 to the hole in part 9;
- 2) Screw in the screw G and tighten by screwdriver;
- 3) Repeat the same way to finish the connection of part 8 with part 9.

| | |
|---|----|
| G | x8 |
|  | |
| Ø4*35mm | |

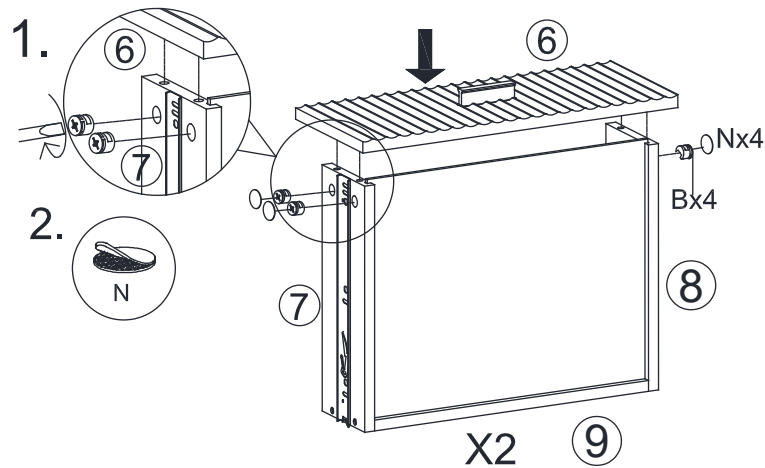
STEP 3



Installing the part 10



- 1) Align the grooves in part 7,8 and 9; then
- 2) Insert and slide the part 10 into the grooves completely.

STEP 4

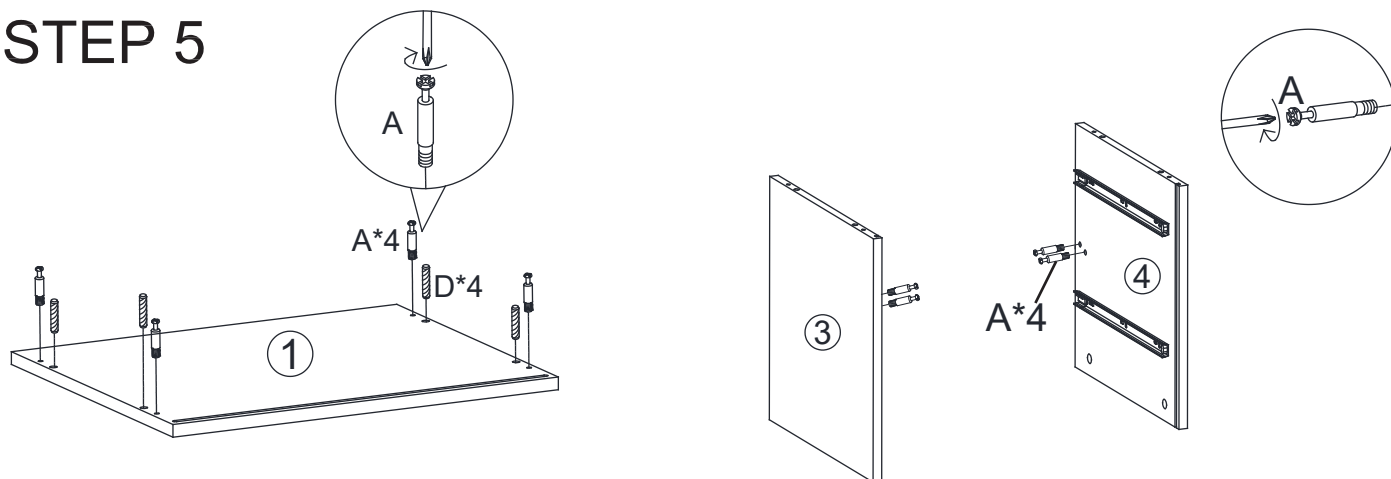


Connect the part 6 to the finished part in step 3, and preparing the part 1 after .

- 1) Align the hole in part 7, 8; then
- 2) Insert the nut B into the hole in part 7,8 as the picture show. Be sure the arrow on the nut B towards the hole where the cam bolt A will come in!
- 3) Insert the cam bolt A into the nut B fully and tighten the nut B by screwdriver.
- 4) Cover the nut B hole by part N

| | | | |
|---|----|---|----|
| B | x8 | N | x8 |
|  | |  | |
| $\phi 15\text{mm}$ | | | |

STEP 5





Preparing the part 1.

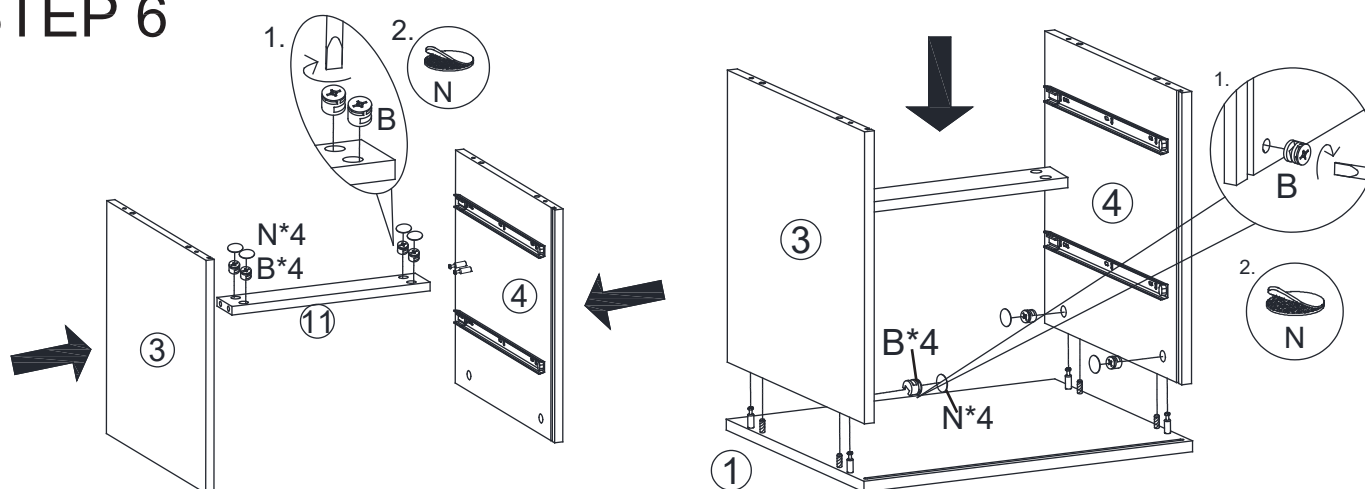
- 1) Align the hole in part 1.
- 2) Insert the wooden towel D into the pre-drilled hole by hand;
- 3) Screw in the cam bolt A and tighten by screwdriver.

Preparing the part 3 and 4.

Align the hole in part 3 and 4, screw in the cam bolt A and tighten by screwdriver

| | | | |
|--|----|--|----|
| A | x8 | D | x4 |
|  | |  | |
| M6*35mm | | Ø8*30mm | |

STEP 6





Connecting part 3,4 to the part 11.

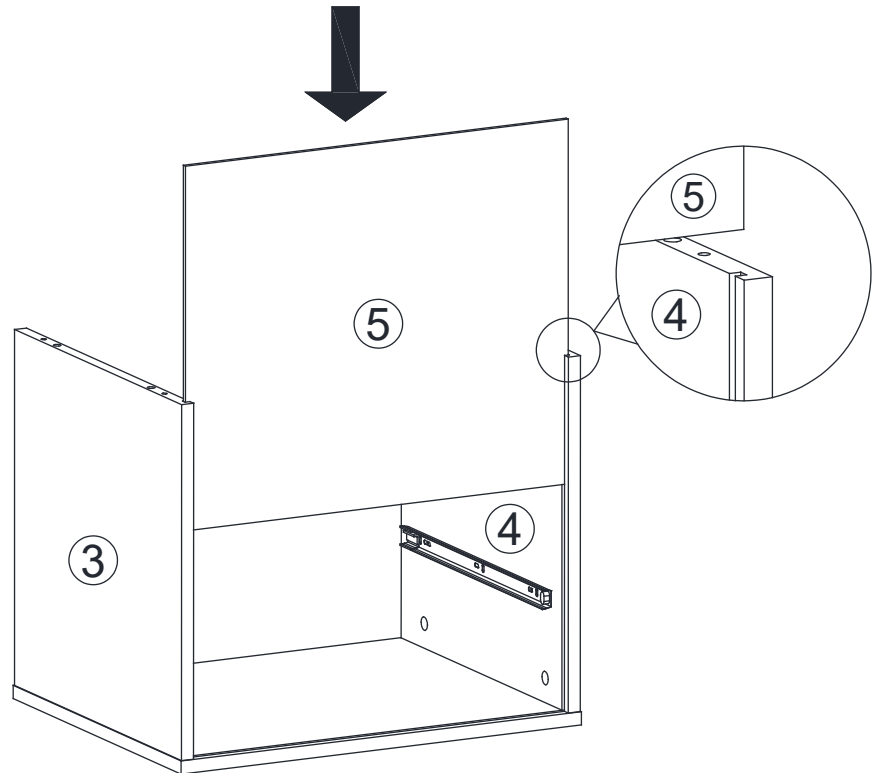
- 1) Insert the nut B into the hole in part 11;
- 2) Insert the cam bolt A in part 3,4 into the nut B in part 11 fully;
- 3) Screw and fully tighten the nut B by screwdriver.
- 4) Cover the nut B hole by part N.

Connect the part 1 to the finished part in step 5.

- 1) Insert the nut B into the hole in part 3 and 4 as the picture show;
- 2) Insert the wooden dowel into the hole in part 3, 4; insert the cam bolt A into the nut B at the same time; then tighten the but B by screwdriver.

| | | | |
|---|----|---|----|
| B | x8 | N | x8 |
|  | |  | |
| Ø15mm | | | |

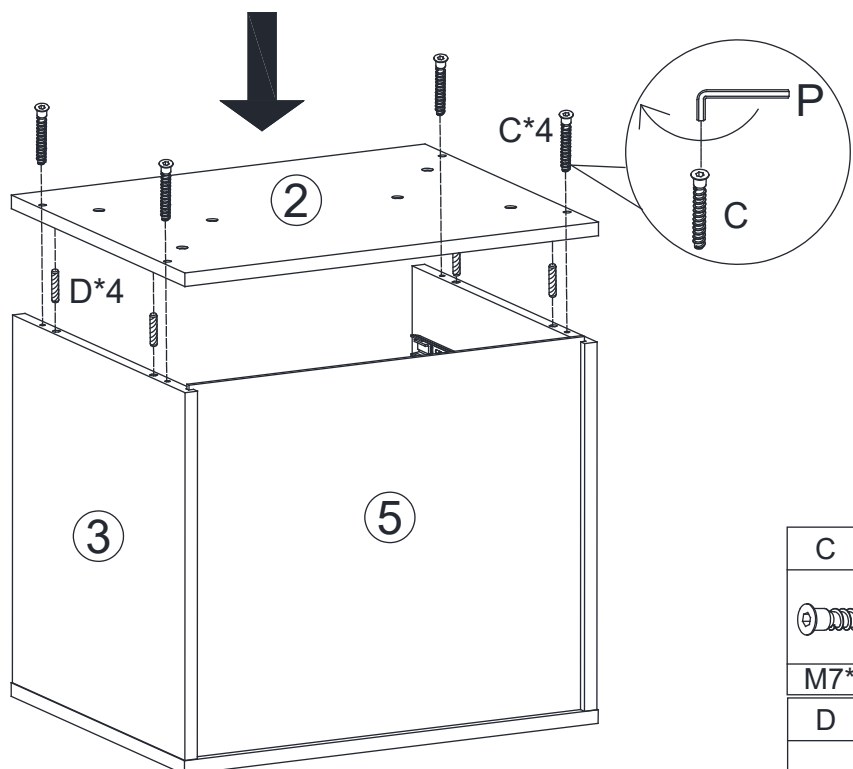
STEP 7



Install part 5




- 1) Align the groove in part 1, 3,4.
- 2) Insert and slide the part 5 into the above groove completely

STEP 8

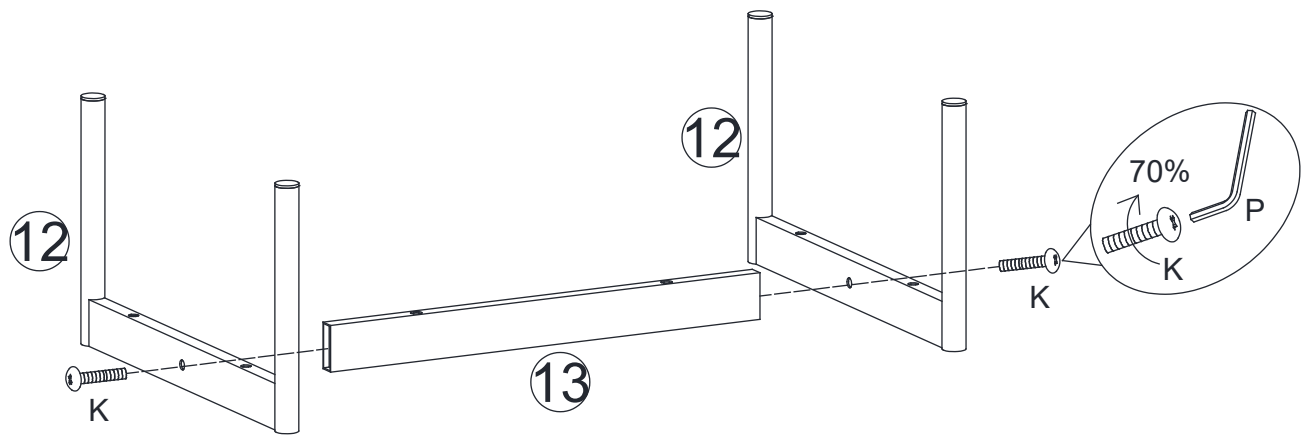


Install the part 2

- 1) Align the hole in part 3, 4, insert the wooden dowel D into the predrilled hole by hand as picture show.
- 2) Align the hole in part 2, insert wooden dowel D in part 3,4 into the part 2, then
- 3) Align the hole and screw in the screw C and tighten by Allen key P.



| | |
|---|----|
| C | x4 |
|  | |
| M7*50mm | |
| D | x4 |
|  | |
| φ 8*30mm | |
| P | x1 |
|  | |
| M4 | |

STEP 9



Preparing the legs.

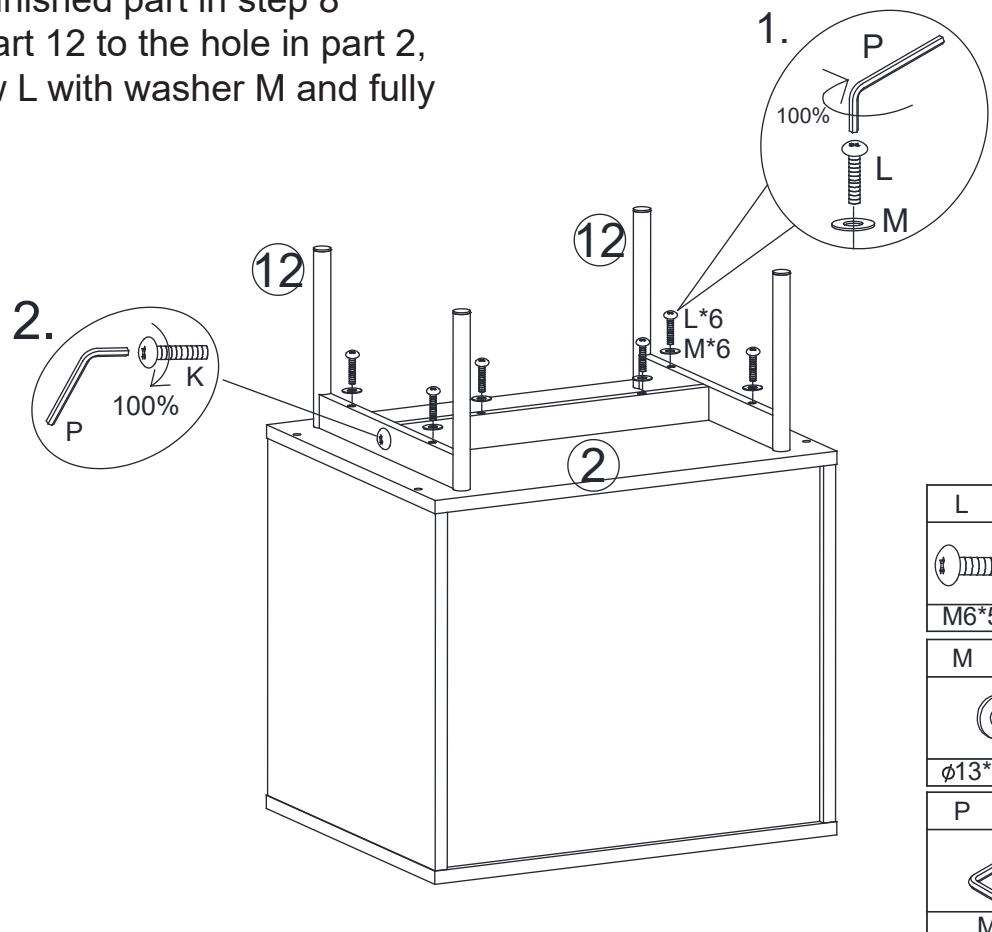
- 1) Align the hole between part 12 and part 13 as the picture show.
- 2) Screw in the screw K and fully tighten by Allenkey P.




| | | | |
|---|----|--|----|
| K | x2 | P | x1 |
|  | |  | |
| M6*40mm | | M4 | |

STEP 10

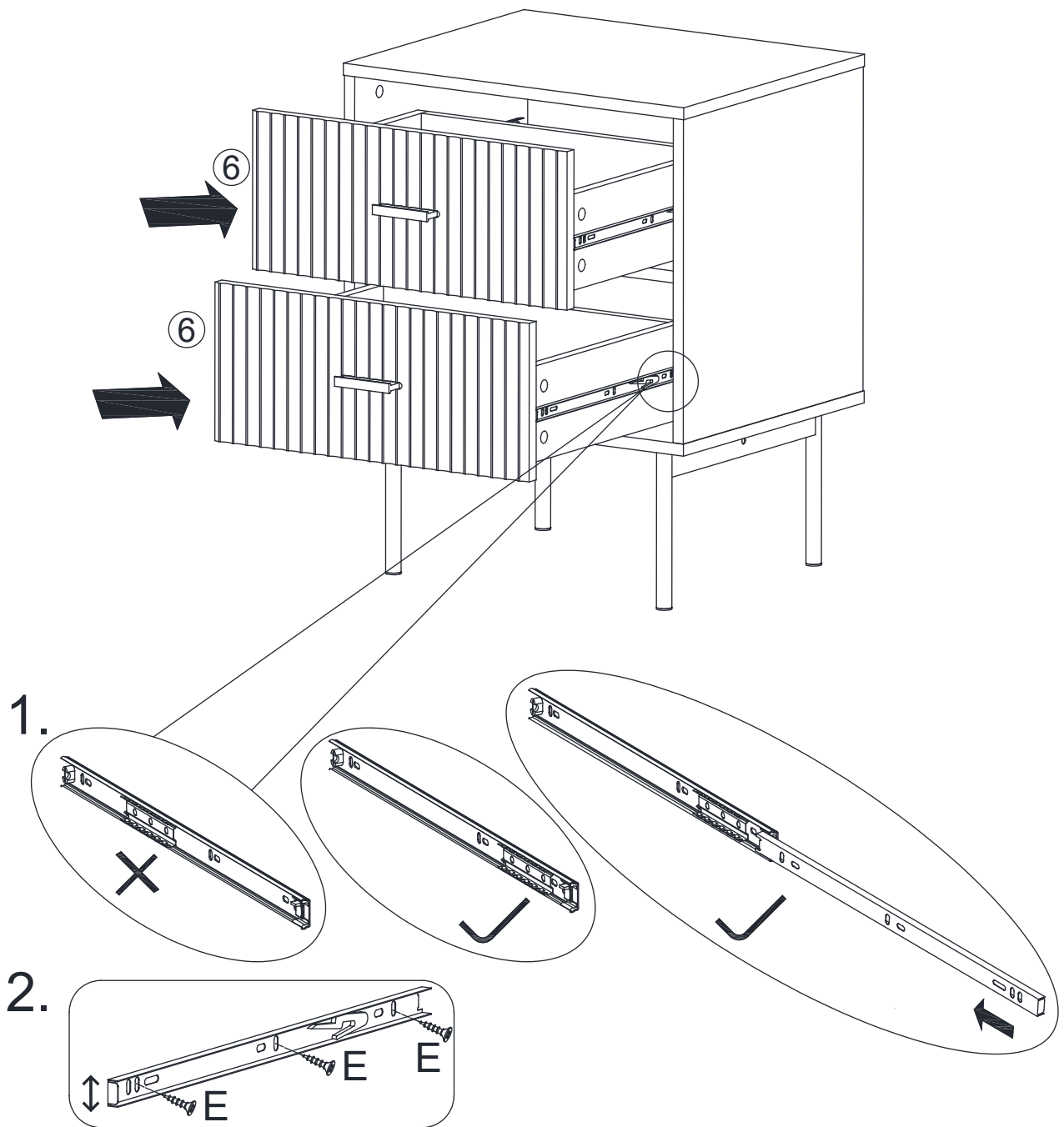
Install the leg to the finished part in step 8

- 1) Align the hole in part 12 to the hole in part 2,
- 2) Screw in the screw L with washer M and fully tighten by Allenkey P



| | | | |
|---|----|---|----|
| L | x6 | P | x1 |
|  | |  | |
| M6*50mm | | M4 | |
| M | x6 | | |
|  | | | |
| Ø13*Ø6.5*1 | | | |

STEP 11



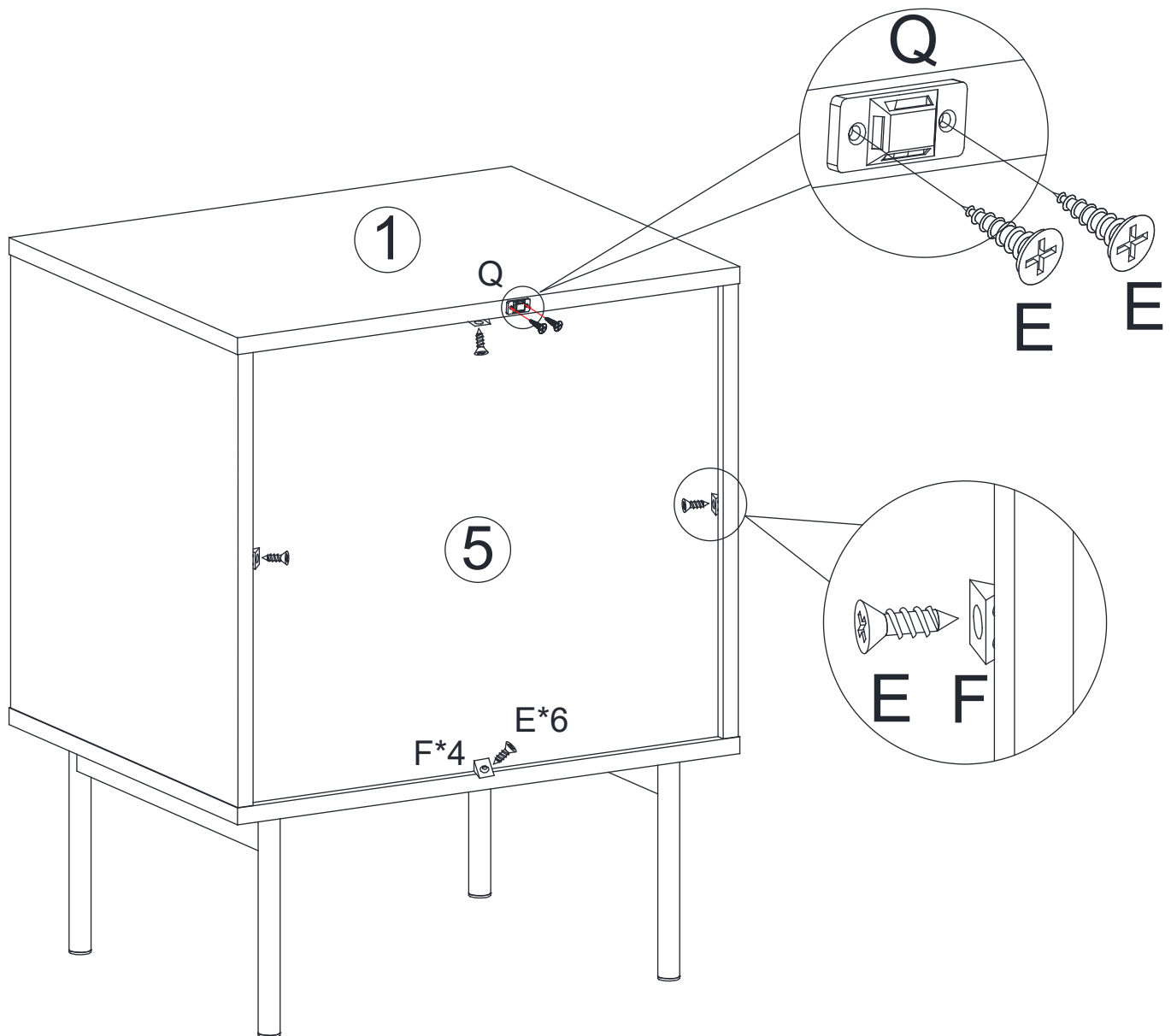
Install the drawer into the cabinet.

1) Move the slider-part in female metal slider to the open-end of cabinet as above middle picture show; then

2) Align the male metal slider in part 7, 8 to the female metal slider in part 3,4, insert the male metal slider into the slider-part of female metal slider slowly for both at the same time, then push forward when be sure they are all in position.




3) IN CASE the drawer doesn't fit the cabinet frame, you can adjust the female metal slider to make the drawer fit by loose the screw E and move female metal slider up or down (according to your situation), then tighten the screw E by screwdriver.

STEP 12



Installing part F and Q

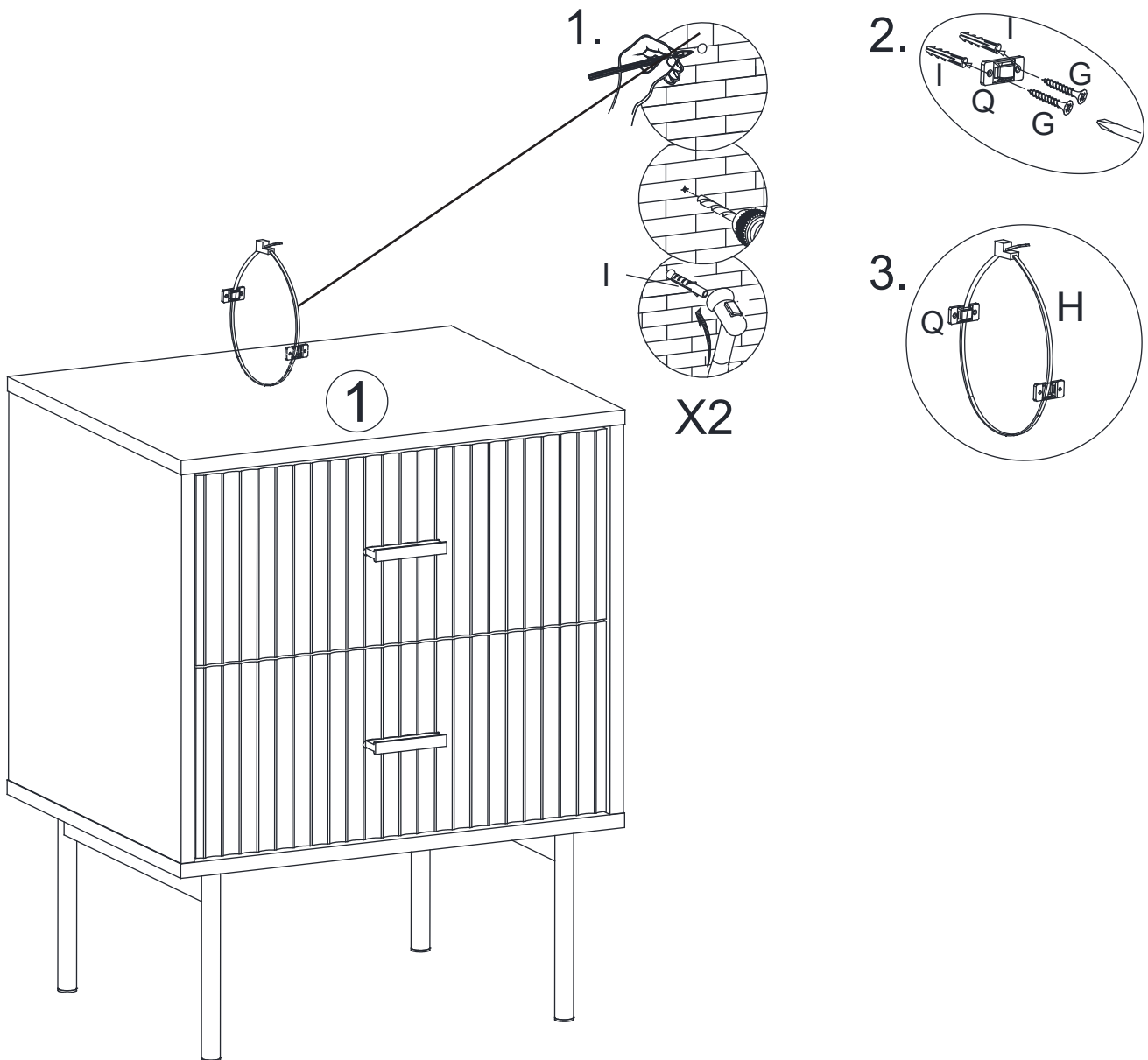
- 1) Insert the part F into the position between 1,2,3,4 and part 5 as the picture show, then screw in the screw E and tighten by screwdriver.
- 2)Align the hole in part Q to the part 1 as the picture show, then screw in the screw E and fully tighten byscrewdriver.





| | | | | | |
|--|----|---|----|---|----|
| E | x6 | F | x4 | Q | x1 |
|  | |  | |  | |
| ø 3.5*14mm | | | | | |

STEP 13

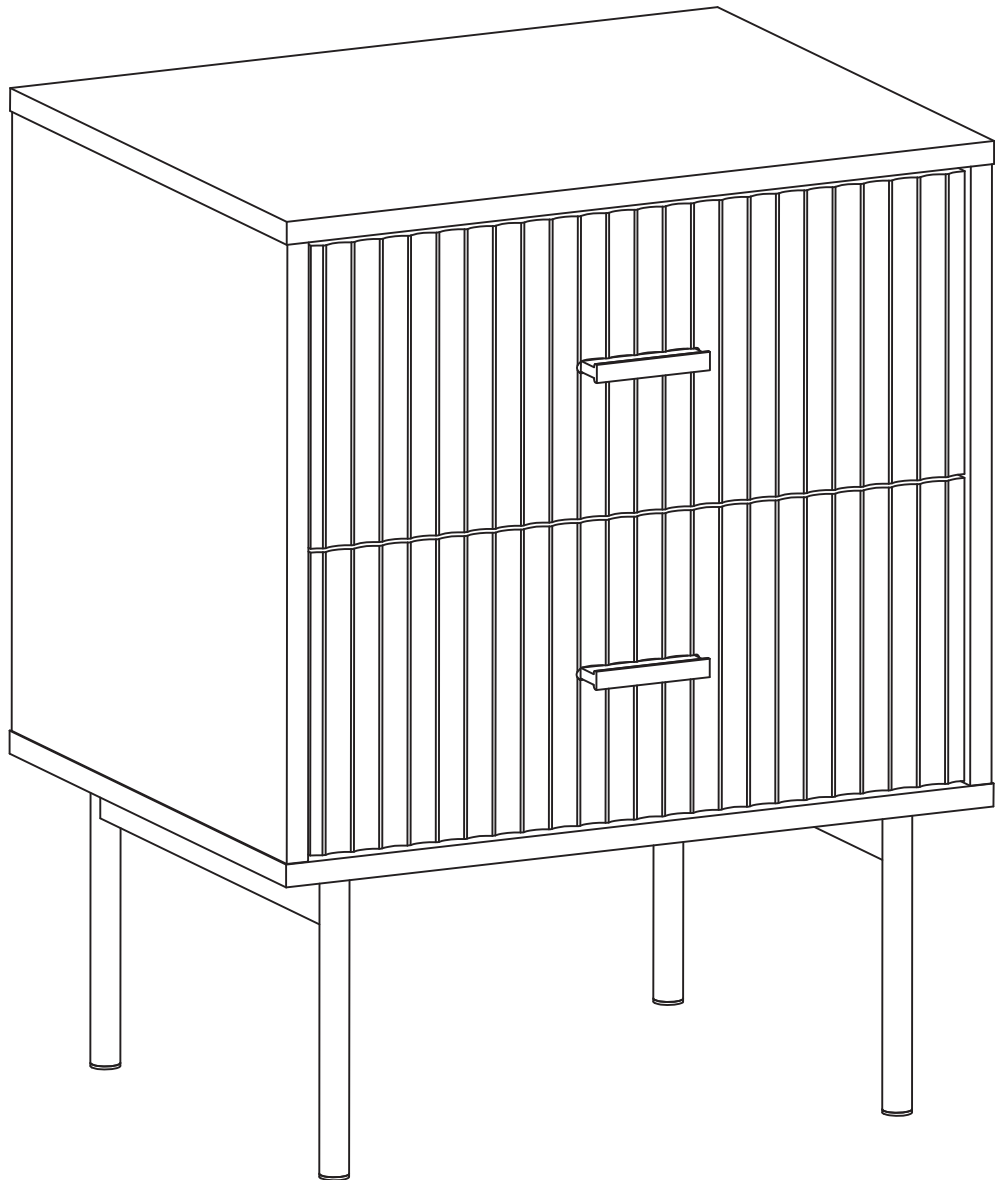
Installing the ANTI-COLLAPSE DEVICE

- 1) Mark the position on the wall(the height must be same to the height of part Q on the back of cabinet, part Q finished in step 12);
- 2) Use driller dig a hole(driller must be 0.315in), then push the part I into the wall by hammer(not provided) till it even with wall;
- 3) Align the hole in part Q to the hole in part I, and screw in the screw G and fully tighten by screwdriver.
- 4) let the belt H go through the part Q in cabinet back and on the wall, tighten them to secure safe.



| G | x2 | Q | x1 | H | x1 | I | x2 |
|---|----|---|----|---|----|---|----|
|  | |  | |  | |  | |
| Ø4*35mm | | | | | | | |

STEP 14



your cabinet is ready to use.
Assembly completed

WARRANTY

We strive to offer high-quality products, and we also try our best to satisfy each and every customer that orders from us with product or service as needed. We provide 30 days warranty starting from the time you receive the item. Each customer must provide a record of their order such as the order number, or item receipt for any items that are out of the warranty period you may also still receive replacement parts by purchasing them with our company if they are available.

**Are you having difficulty
with assembly? Missing parts?**

Please send email with your order No

customerservice@hulalahome.com

**For return, Please check the return policy with
the retailer or MarketPlace you bought from.**

Appreciated your purchasing from us.

Pop up your life by our furniture piece!