

## WARRANTY

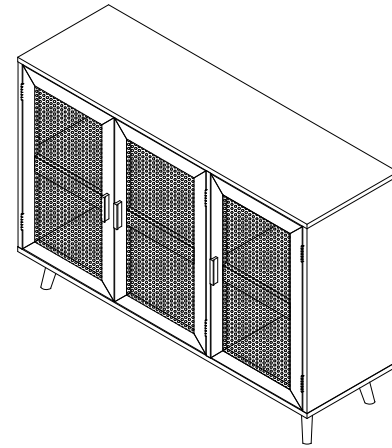
We strive to offer high-quality products, and we also try our best to satisfy each and every customer that orders from us with product or service as needed. We provide 30 days warranty starting from the time you receive the item. Each customer must provide a record of their order such as the order number, or item receipt for any items that are out of the warranty period you may also still receive replacement parts by purchasing them with our company if they are available.

**Are you having difficulty  
with assembly? Missing parts?**

**Please send email with your order No  
[customerservice@hulalahome.com](mailto:customerservice@hulalahome.com)**

**For return, Please check the return policy with  
the retailer or MarketPlace you bought from.**

**Appreciated your purchasing from us.  
Pop up your life by our furniture piece!**



**ITEM NO. HSCLS0408**

---

### NOTE:

This brochure contains IMPORTANT safety info. Please read and keep for future reference.

---

# MAINTAINANCE AND WARNING

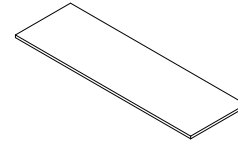
- Keep furniture away from heat.
- Do not clean furniture with harsh cleansers or polish. Do not use detergents, Solvents, abrasives, spray packs or leather cleaner. Use non-color mild soap with warm water clean spills(Mix 1:10 soap to water)
- Do not place furniture under direct sunlight, material will possibly fade over time.
- Do not use on site dry Cleaning machine.
- Children should not climb or jump on the furniture.
- Do not write on furniture without a padded barrier to protect the surface.
- Not for commercial use, For residential use only.



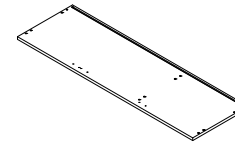
Weight Limitation

**110LBS**

# PARTS LIST



A: X1



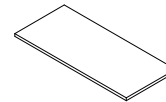
B: X1



C: X1



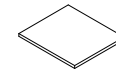
D: X1



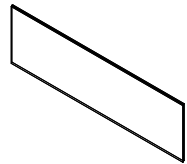
E: X1



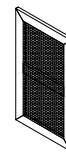
F: X1



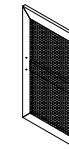
G: X1



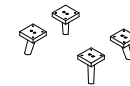
H/I: X1



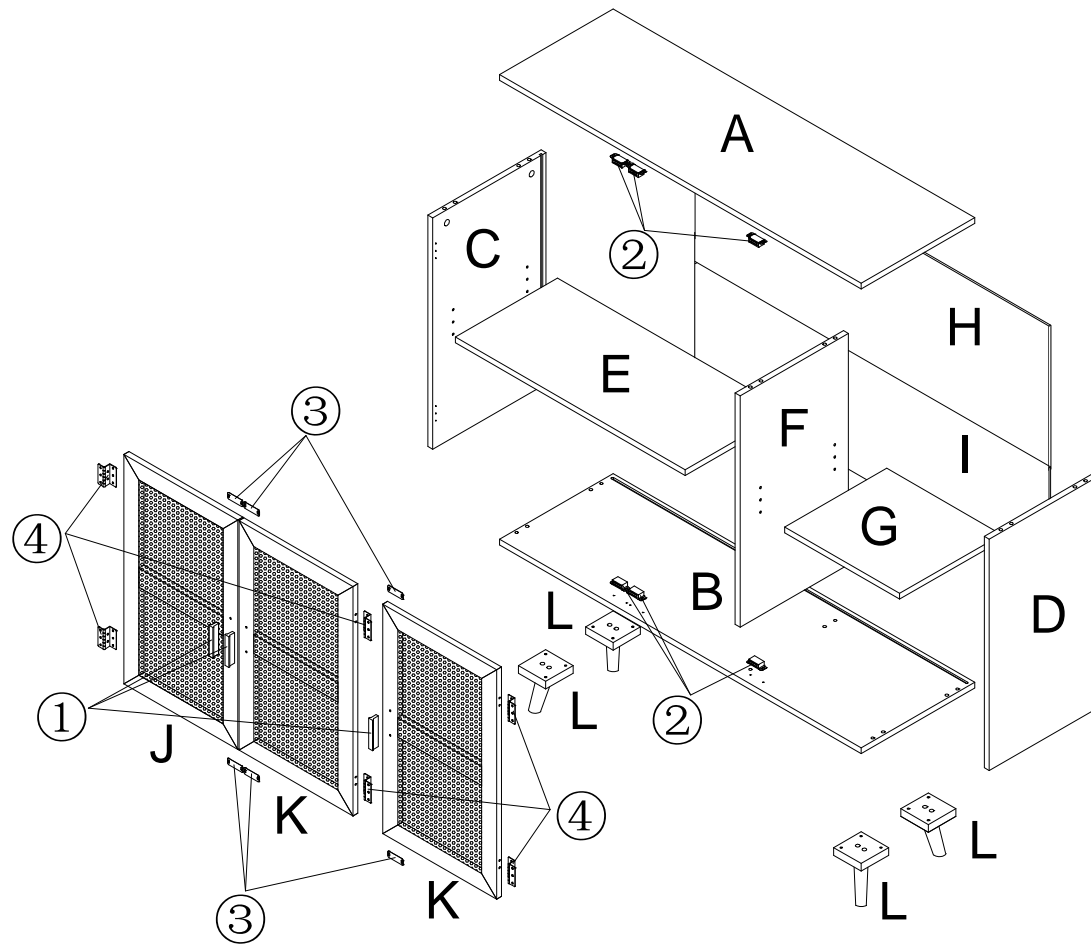
J: X1



K: X2



L: X4



# OVERVIEW

# HARDWARE LIST



①: X3



②: X6  
M3\*14mm



③: X6  
M3\*14mm



④: X6



⑤: X48  
M3\*14mm



⑥: X6



⑦: X6



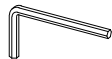
⑧: X6  
∅21mm



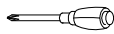
⑨: X12  
∅8\*30mm



⑩: X12  
M6\*25mm



⑪: X1



⑫: X1



⑬: X1



⑭: X6  
M6\*50mm



⑮: X8  
M3\*14mm



⑯: X8  
5\*16mm

# SPARE



⑤: X1  
M3\*14mm



⑥: X1



⑦: X1



⑧: X1  
∅21mm



⑨: X1  
∅8\*30mm



⑩: X1  
M6\*25mm



⑭: X1  
M6.3\*50mm



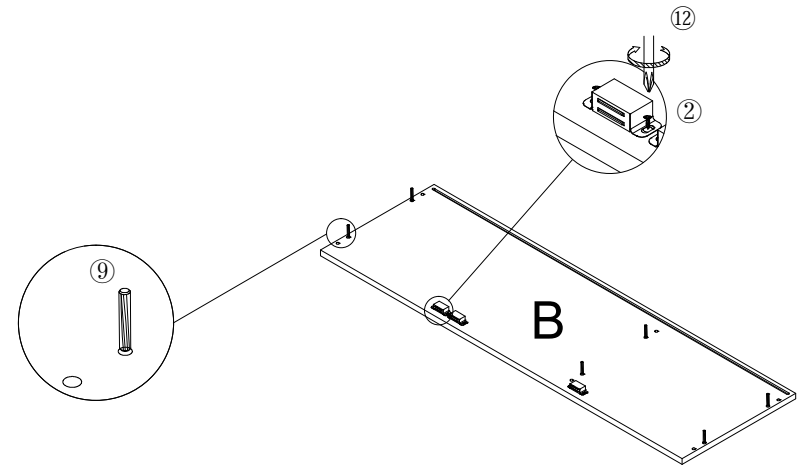
⑮: X1  
M3\*14mm



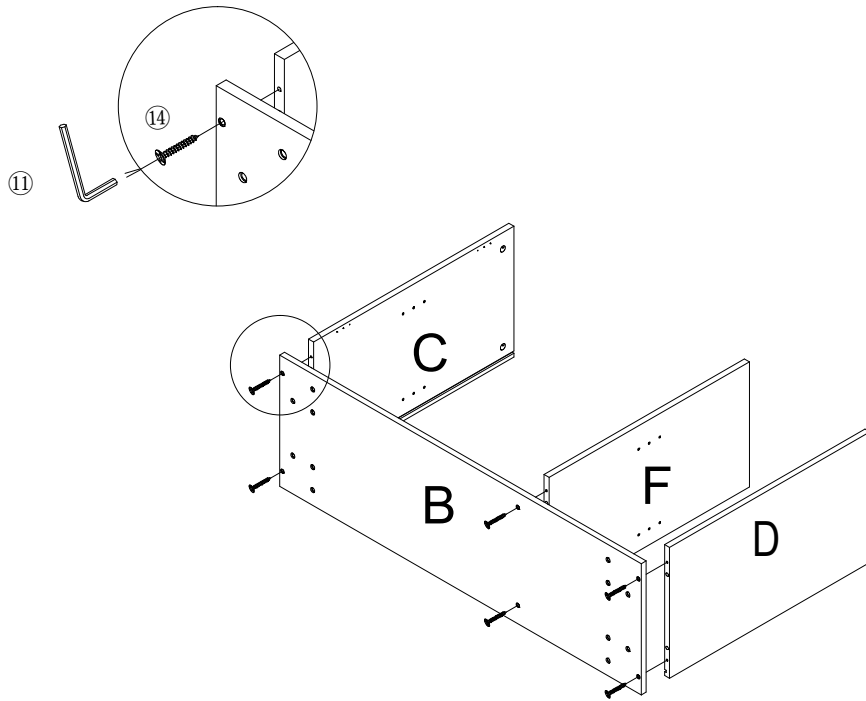
⑯: X1  
5\*16mm

Be sure to check all packing material carefully for small parts, which may have come loose inside the carton during shipment.

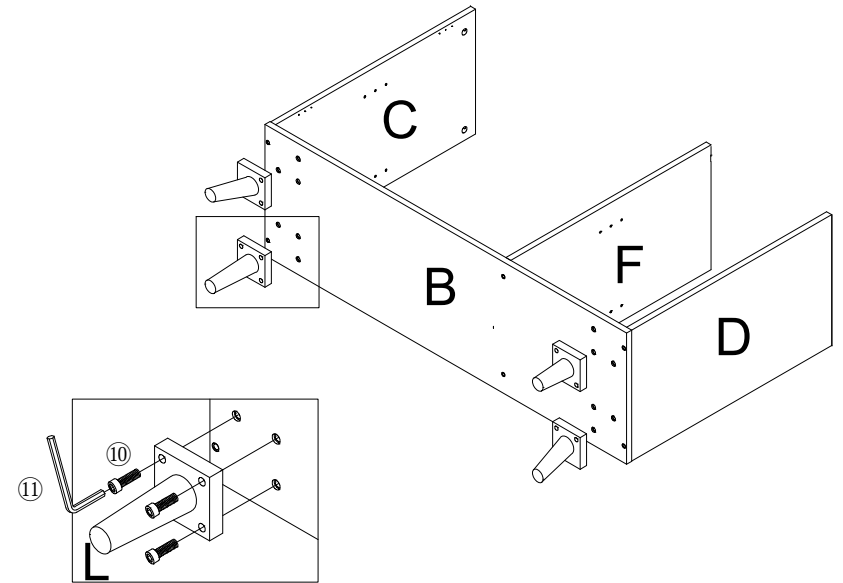
# ASSEMBLY INSTRUCTIONS



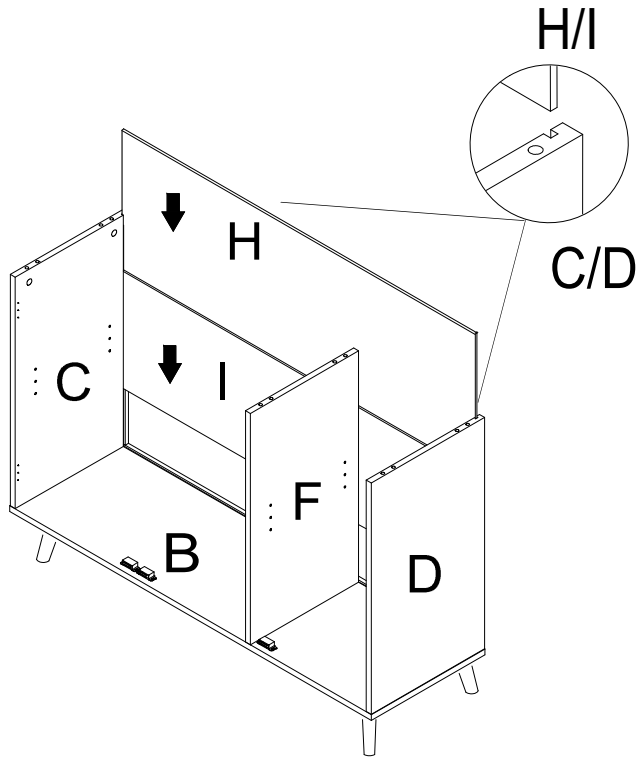
- STEP 1: Place panel B on clean padded surface,
1. Insert wooden dowel #9 into the predrilled hole in panel B by hand.
  2. Use philips head screwdriver #12 and screws to attach magnetic catch #2 to panel B as sketch above.



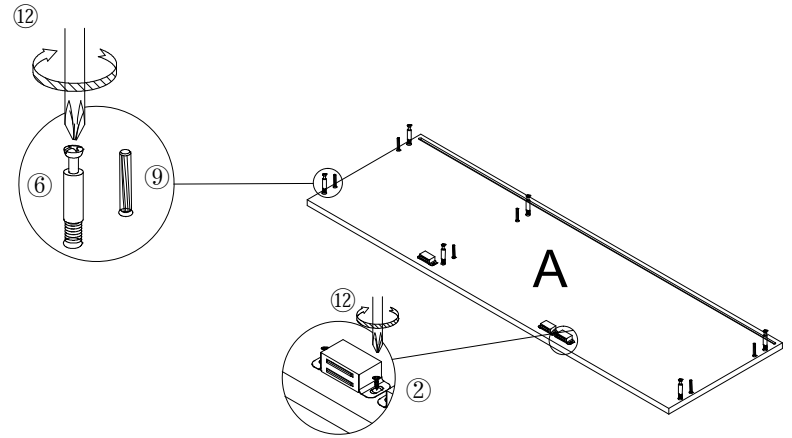
**STEP 2:** With help of adult partner, set the panel B vertically, use allen key #11, screw #14 to connect panel C/F/D with panel B. Fasten all screws to secure.



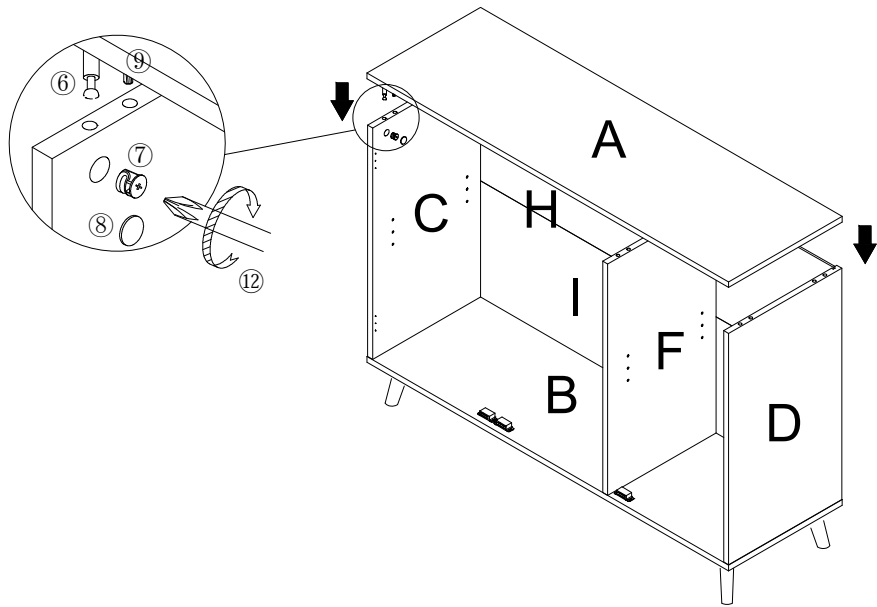
**STEP 3:** Use allen key #11, bolt #10 to attach feet L to bottom of panel B, fasten all bolts to secure.



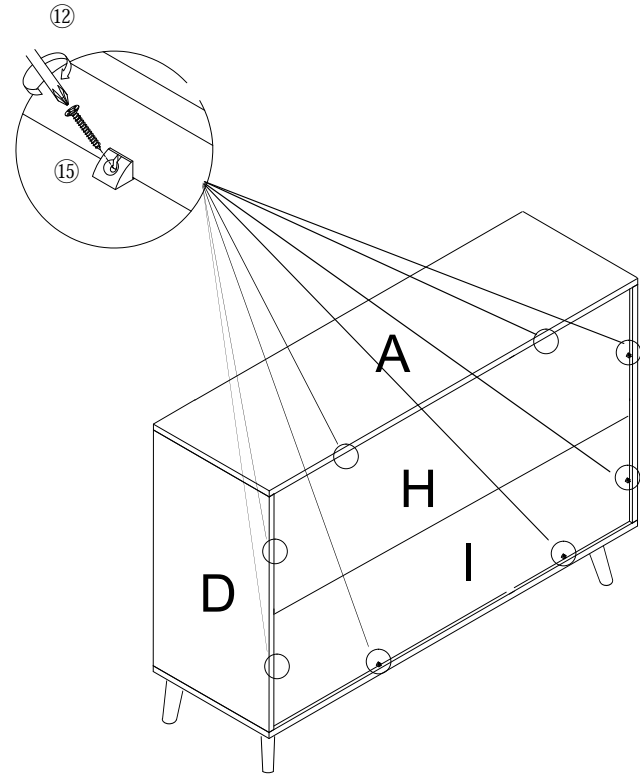
STEP 4: Turn the assembled unit upright, unfold back panel H/I then carefully align and slide the whole back panel into groove along rear edge of panel B/C/D(Please don't remove the tape that hold the joint of panel H/I), make sure the whole back panel set properly inside grooves.



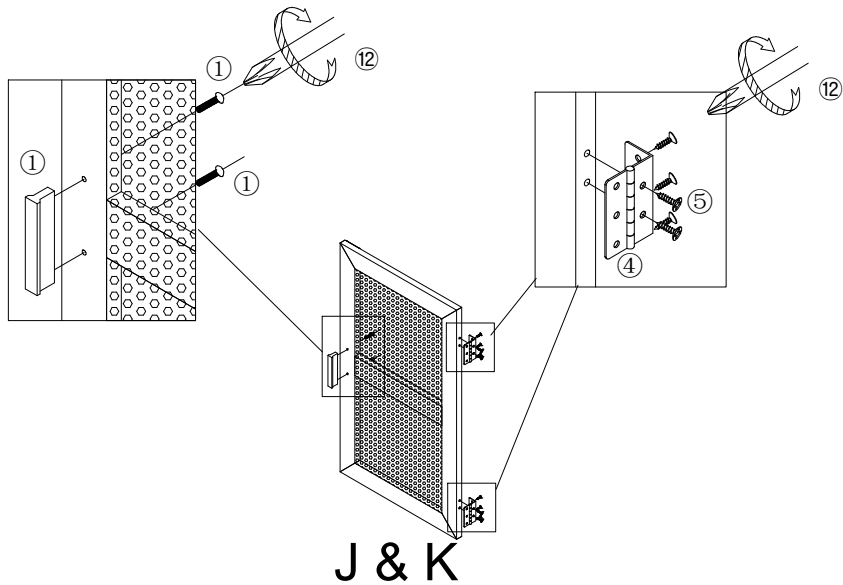
STEP 5: Place panel A upside down on clean padded surface,  
 1.insrrt wooden dowel#9 into predrilled hole in panel A by hand.  
 2.Use screwdriver #12 to fasten cam bolt #6 into holes on panel A.  
 3.Use screwdriver #12 and screws to attach magnetic catch #2 to panel A.



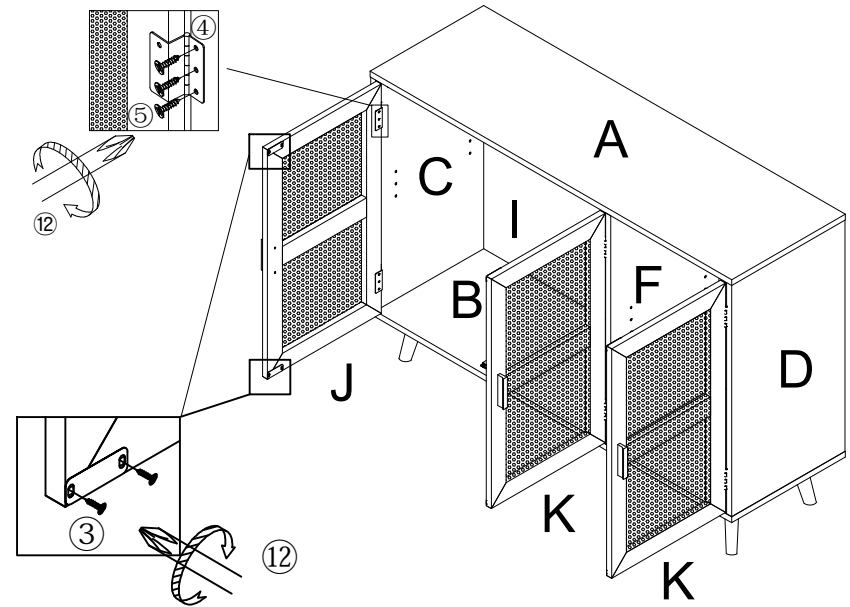
STEP 6: Insert cam bolt #7 into panel C/F/D and make sure the opening is facing upwards. Hold the panel with 2 person then carefully align cam bolt #6/ Wood dowel #9 with holes on edge of panel C/F/D. Please don't force down panel A before all cam bolt or wood dowel properly aligned.



STEP 7: Insert plastic bracket #15 in between back panel and groove on panel A/B/C/D, use screwdriver #12 to fasten screws in order to secure back panel.

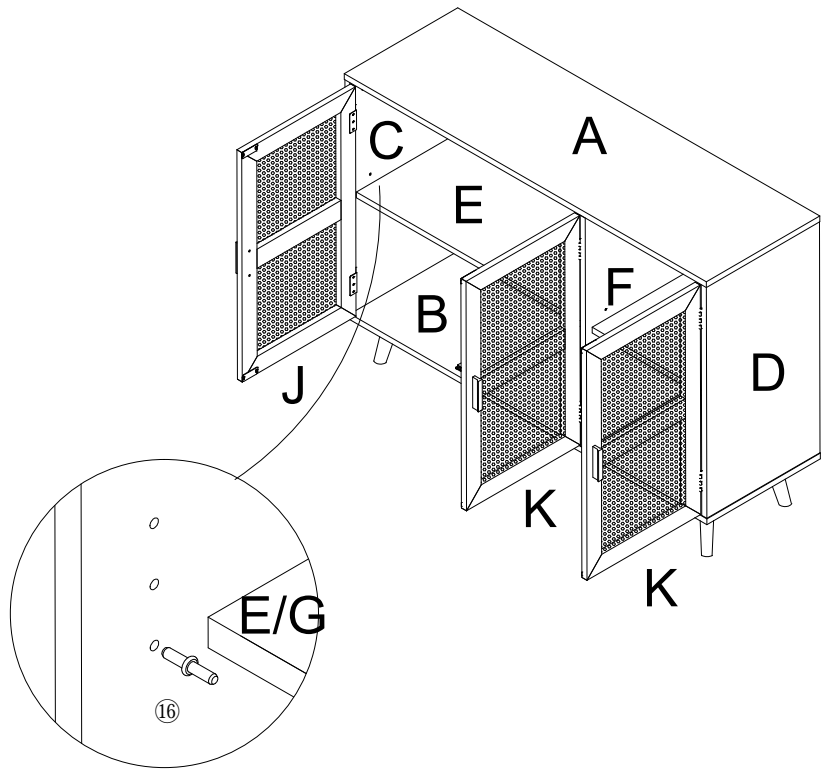


STEP 8: Use screwdriver #12 to fasten screws in order to secure handle #1 to door J/K. Use screwdriver #12 and screw # 5 to attach hinge to pilot hole on edge of door frame J/K, fasten to secure.

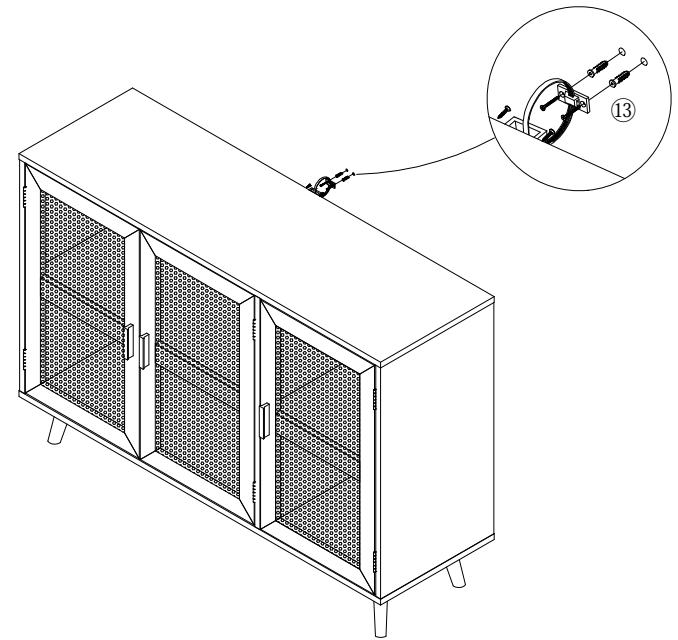


STEP 9: Hold the door J/K then use screwdriver #12 and screw #5 to attach door to panel C/F/D. Use screwdriver #12 and screws to attach mending plate 3 to lower corner of door J/K.





STEP 10: Insert shelf pin #16 to desired level on panel C/ F/D then insert adjustable shelf E/F. Remove the shelves and relocate shelf pin freely as needed during daily use.



STEP 11: Please be sure to attach the tipping kits and keep it permanently for safety. Failure to use tipping kits may lead to dangerous circumstances to kids during daily use.