

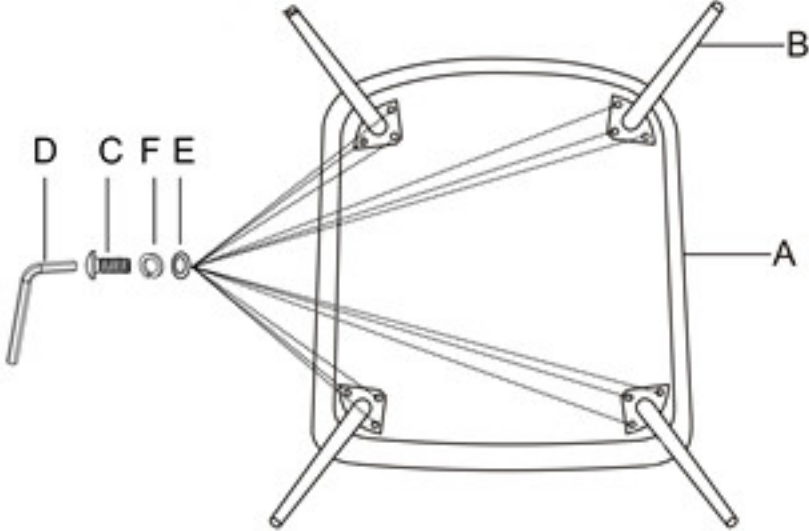






# Assembling Instruction

<p>Ax1</p> 	<p>Ex12</p> 	<p>① <b>Open the bottom zipper and take out the leg.</b></p> 
<p>Bx4</p> 	<p>Fx12</p> 	
<p>Cx12</p>  <p>M6X18MM</p>		<p>②</p> 
<p>Dx1</p> 