

WARRANTY

We strive to offer high-quality products, and we also try our best to satisfy each and every customer that orders from us with product or service as needed. We provide 30 days warranty starting from the time you receive the item. Each customer must provide a record of their order such as the order number, or item receipt for any items that are out of the warranty period you may also still receive replacement parts by purchasing them with our company if they are available.

**Are you having difficulty
with assembly? Missing parts?**

**PLEASE DON' T RETURN THE ITEM TO
RETAILER**

For help call or email with your order No.

Customer service:

888-214-6610

Open Monday through Friday

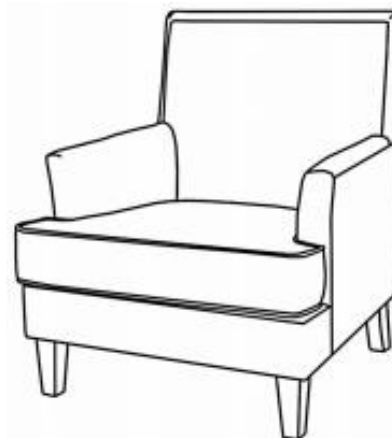
9:00AM-5:00PM CST

Email:

customerservice@hulalahome.com

24h

HULALA
H O M E



ITEM NO. CHHY0034

NOTE:

This brochure contains IMPORTANT safty info. Please read and keep for future reference.

MAINTAINANCE AND WARNING

- Keep furniture away from heat.
- Do not clean furniture with harsh cleansers or polish. Do not use detergents, Solvents, abrasives, spray packs or leather cleaner. Use non-color mild soap with warm water clean spills(Mix 1:10 soap to water)
- Do not place furniture under direct sunlight, material will possibly fade over time.
- Do not use on site dry Cleaning machine.
- Children should not climb or jump on the furniture.
- Do not write on furniture without a padded barrier to protect the surface.
- Not for commercial use, For residential use only.

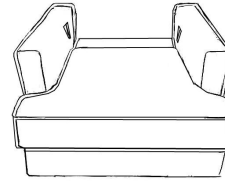


Weight Limitation

220LBS

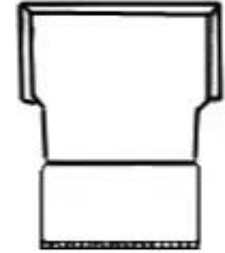
PARTS LIST

1



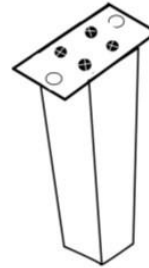
1PC

2



1PC

3



Front legs-2pcs

4



Raer legs-2pcs



Estimated Duration Of Assembly

5-10 MINUTES

HARDWARE LIST



8PCS (BLACK)



4PCS (SILVER)

SPARE

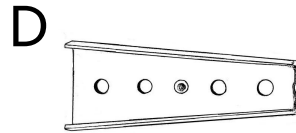
E EXTRA PARTS



1PC (BLACK)

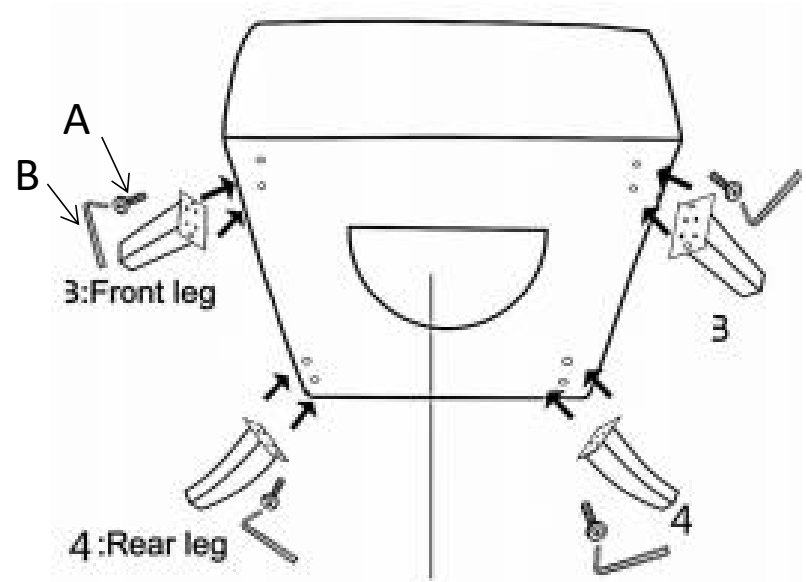


1PC



Metal bracket-2pcs

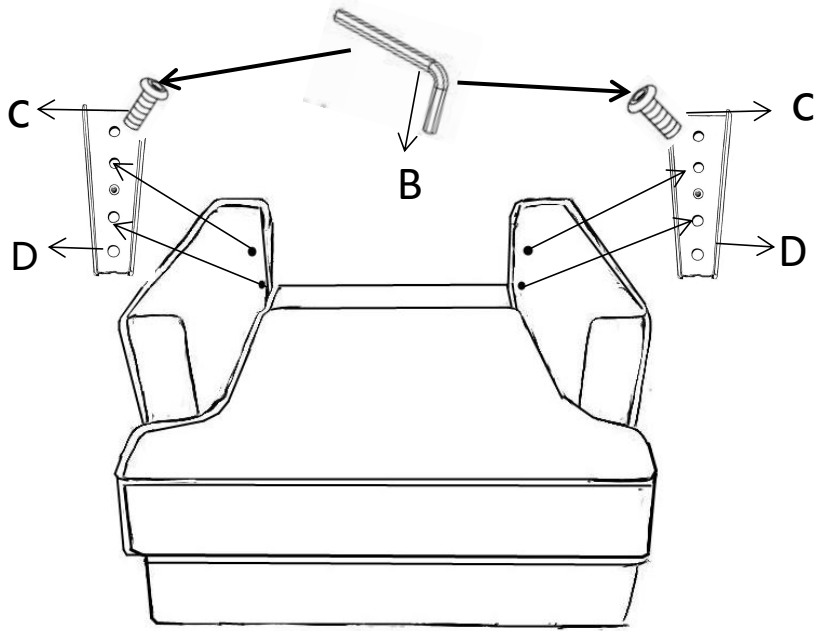
ASSEMBLY INSTRUCTIONS



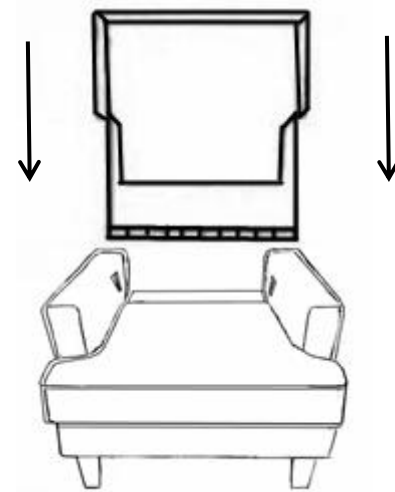
Zippered Pocket
(Chair legs position)

Be sure to check all packing material carefully for small parts, which may have come loose inside the carton during shipment.

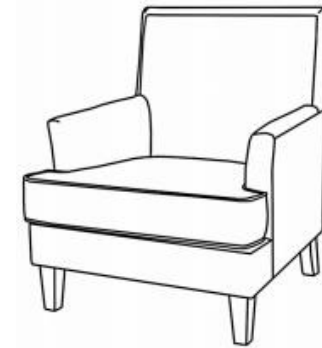
STEP 1: Place chair seat on clean padded surface, take out the chair legs and hardware pack from zipper pocket under seat, use bolt A and allen key B to attach legs 3 & 4 to bottom of seat 1.



STEP 2: Use bolt C, allen key B to attach metal bracket D to rear inside of armrest.



STEP 3: Make sure to keep the male and female bracket align then push the whole back 2 all the way down to secure. Pull the velcro belt on flap cover from back side of chair back and secure to rear bottom edge of the seat.



STEP 4: Assembly completed.